

Vacuum cleaner

User's manual

EN



SENCOR®

SVC 8VT

SVC 8YL (Tizio)

Before first use, please read all instructions contained in this user's manual carefully, even if you are already familiar with using similar products. Only use this product in accordance with the instructions described in the user's manual. Keep the manual for future use.

Save the original packaging, including the internal packing material, warranty card and proof of purchase receipt, at least for the duration of the warranty. If you need to ship this appliance, pack it in the original cardboard box to ensure maximum protection during shipping or transport (e.g. when moving or when you need to send this product for repair).

Vacuum cleaner

SVC 8VT / SVC 8YL (Tizio)

CONTENTS

IMPORTANT SAFETY NOTICE	3
DESCRIPTION	5
ASSEMBLY	6
USING YOUR VACUUM CLEANER	6
USING THE UNIVERSAL 3-IN-1 MINI NOZZLE	7
STORAGE OF VACUUM CLEANER	8
CLEANING AND MAINTENANCE	9
TROUBLESHOOTING	12
TECHNICAL SPECIFICATIONS	12
PRODUCT INFORMATION SHEET	13
INSTRUCTIONS AND INFORMATION REGARDING THE DISPOSAL OF USED PACKAGING MATERIALS	14
DISPOSAL OF USED ELECTRICAL AND ELECTRONIC APPLIANCES	14

Vacuum cleaner

SVC 8VT / SVC 8YL (Tizio)

EN

IMPORTANT SAFETY NOTICE

- 1) Carefully unpack the product and take care not to throw away any part of the packaging before you find all the parts of the product.
- 2) This product may not be used by any persons (including children) with mental disabilities, weak strength or by inexperienced persons, unless they have been properly trained or schooled in the safe use of the product, or unless they are properly supervised by a qualified person who is responsible for their safety.
- 3) Children must be supervised to ensure that they do not play with the product.
- 4) Before connecting this product to the socket outlet, make sure the voltage stated on the label of the product corresponds to the voltage in your wall socket.
- 5) Never use accessories, which have not been supplied with this product or which are not designed for this product.
- 6) Do not place the power cord near hot places or sharp objects. Do not place heavy objects on the power cord. Position the power cord so that it will not be stepped on or tripped over. Make sure the power cord is not touching a hot surface.
- 7) If the power cord of the appliance is damaged have it repaired by an authorised service technician to prevent causing a dangerous situation. It is forbidden to use the appliance if it has a damaged power cord or plug.
- 8) Do not disconnect the power cord from the wall outlet by pulling the cord.
- 9) In no case should you attempt to repair the unit yourself, do not make any amendments to it - danger of electric shock! Entrust all repairs and adjustments to a specialised company/service. Failure to do so will expose you to a danger of voiding the warranty policy.
- 10) Never use the appliance if you have wet hands or feet.
- 11) Only store and use the appliance away from flammable or volatile materials and solutions.
- 12) This appliance is designed for household use. Do not use it in industrial surroundings or outdoors!
- 13) Do not use the appliance for purposes other than those intended.
- 14) Do not spray the appliance with water or any other liquid. Do not pour water or any other liquids into the appliance. Do not submerge the appliance in water or in any other liquid.
- 15) Make sure the appliance does not come in contact with water. Never use the appliance near a bathtub, wash basin or any other containers filled with water.
- 16) If you are not using your appliance, disconnect the power cord from the power socket.
- 17) If you will not be using the appliance, turn it off and disconnect the power cord from the wall outlet. Prior to cleaning, proceed in the same manner.
- 18) Never leave the appliance switched on without supervision.
- 19) In order to avoid deformation of the plastic components of the vacuum cleaner or to prevent it from catching on fire, do not expose the vacuum to direct sunlight, do not place it close to heaters, open fires or other sources of heat and do not leave the vacuum cleaner operating for too long if the air inflow vent is blocked.
- 20) Use extra care if the appliance is used near children. Always keep the appliance out of the reach of children.
- 21) If the appliance is being used, do not block the air inflow and outflow vents. Blocked air vents can cause overheating and motor damage.
- 22) Vacuuming the below mentioned objects can damage your appliance or cause injuries to the operating person:
 - wet floor, water or other liquids
 - any type of sharp objects such as broken glass or ceramics, needles, pins, etc.
 - burning cigarettes, or smouldering compounds, matches or any other flammable or volatile liquids (e.g. gasoline, paint thinners, etc.)
 - flour, cement, plaster (i.e. dust from holes drilled in walls)
- 23) In order to avoid damaging furniture or injuries to persons, hold the power cord in your hands as it winds up.
- 24) Do not vacuum larger pieces of paper or plastic bags. They may easily clog the pipe or hose. In the event that the vacuum cleaner becomes clogged for any reason, turn it off by disconnecting it from the power socket and clean out the pipe or hose.
- 25) In order to avoid damage to the hose, do not step on it or forcefully bend it. Do not use the vacuum if the hose is bent or damaged in any other way.
- 26) Do not move over the power cord with the vacuum cleaner.

Vacuum cleaner

SVC 8VT / SVC 8YL (Tizio)

- 27) Never use the vacuum cleaner without having inserted the dust bag, the inflow micro-filter or the outflow H.E.P.A. filter.
- 28) Do not place the vacuuming hose, inlet nozzle or vacuuming accessories near to your eyes or ears.
- 29) Vacuuming of some types of floors or floor surfaces can create a static electricity charge, which is not dangerous for the user.

The manufacturer is not responsible for damages caused by incorrect use of this appliance or its accessories. Such damages include food spoilage, injuries, burns, scalding, fire, etc.

Vacuum cleaner

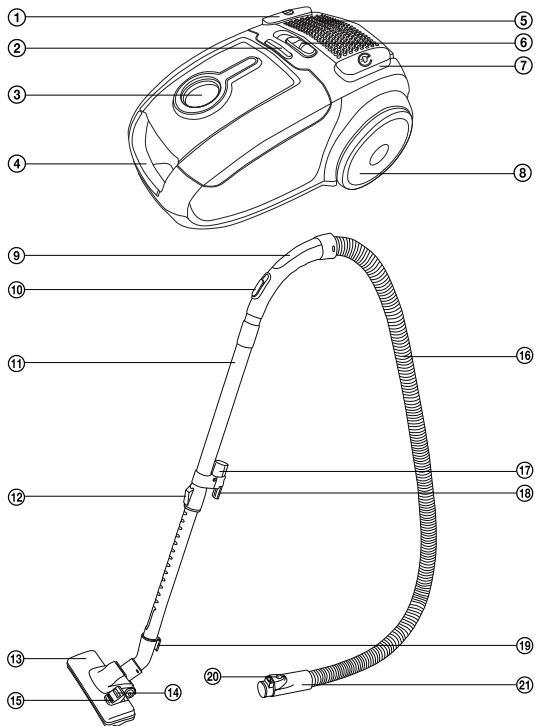
SVC 8VT / SVC 8YL (Tizio)

EN

DESCRIPTION

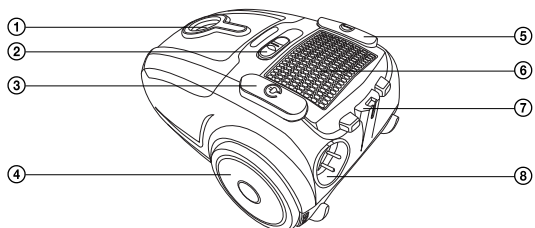
A

- ① START/STOP button
- ② Full dust bag indicator
- ③ Vacuum hose connection hole
- ④ Handle
- ⑤ Cover of the outflow H.E.P.A. filter
- ⑥ Motor power output control
- ⑦ Cord winding button
- ⑧ Transport wheel
- ⑨ Handle
- ⑩ Sliding knob for air suction
- ⑪ Telescopic tube
- ⑫ Clip for the telescopic tube
- ⑬ Floor inlet nozzle
- ⑭ Flap position for vacuuming carpets
- ⑮ Flap position for vacuuming hard (smooth) floors
- ⑯ Hose
- ⑰ Accessory holder
- ⑱ Stopper for the vertical parking position
- ⑲ Stopper for the horizontal parking position
- ⑳ Clip
- ㉑ Hose end



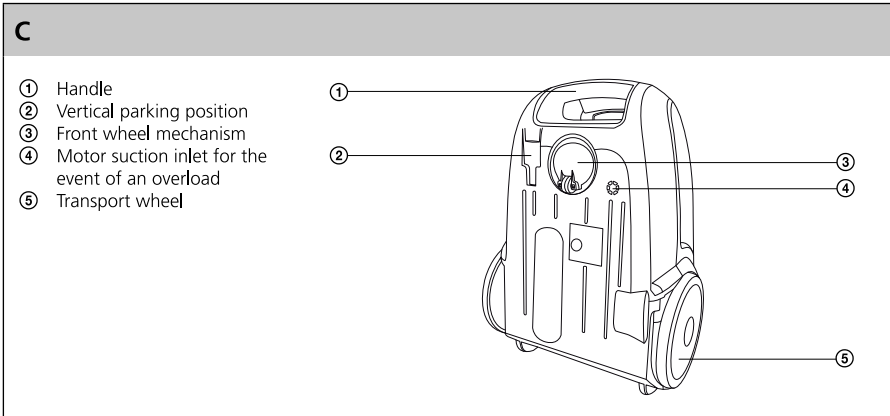
B

- ① Vacuum hose connection hole
- ② Vacuum power control
- ③ Cord winding button
- ④ Transport wheel
- ⑤ START/STOP button
- ⑥ Cover of the outflow H.E.P.A. filter
- ⑦ Horizontal parking position
- ⑧ Power cord



Vacuum cleaner

SVC 8VT / SVC 8YL (Tizio)



ASSEMBLY

Inserting the hose into the air suction hole on the vacuum cleaner.

Press both the safety buttons on the end of the hose end and insert the hose end into the air suction opening on the vacuum cleaner until you hear a „click“. The hose is now secured in correct position.

Attach the holder to the telescopic tube:

Make sure to place the holder with the hose on the wider part of the telescopic tube.

Attach the floor inlet nozzle to the telescopic tube:

Make sure the floor nozzle is attached the narrower part of the telescopic tube.

Adjust the length of the telescopic tube:

Adjust the length of the telescopic tube as follows: Move and hold the button on the tube forward as shown the by arrows and adjust the length of the tube as required. Then release the button and move the tube slightly forward until you hear a "click". The telescopic tube is now securely fixed in position.

USING YOUR VACUUM CLEANER

Connecting your vacuum cleaner to the electrical power grid

Pull the plug attached to the power cord out from the vacuum cleaner until the desired length of the cord is out of the appliance. Insert the plug into a power socket.



Caution:

Yellow marking on the power cord warns that the power cord is close to its end. Do not pull the cord further than the red marking.

Adjusting the floor inlet nozzle according to the floor surface.

You may set the inlet nozzle according to the floor surface by adjusting the inlet flap:

- If you want to vacuum carpets, close the bristles of the inlet inside the inlet nozzle, by turning the flap accordingly.
- If you want to vacuum hard and smooth surfaces, move the bristles out of the nozzle, by turning the flap accordingly.

Vacuum cleaner

SVC 8VT / SVC 8YL (Tizio)

EN

Turning your vacuum cleaner on and off

To switch your vacuum cleaner on or off, press the START / STOP button on the vacuum cleaner body.

Adjusting the suction strength

The suction strength may be adjusted by moving the rider on the vacuum cleaner body (small range) or by the moveable rider on the hose handler.



Tips

- Use the maximum suction strength when vacuuming carpets or floors with a hard surface. Use the reduced strength when vacuuming upholstery, window curtains, etc.
- If the hose holder becomes blocked when vacuuming, disconnect it from the telescopic tube and also disconnect the hose from the vacuum cleaner body. Then place the holder inside the suction hole on the vacuum cleaner body and vacuum out the stuck dirt.

Temporary interruption of the vacuuming process

If you want to stop vacuuming for a short time, you may use one of the parking positions:

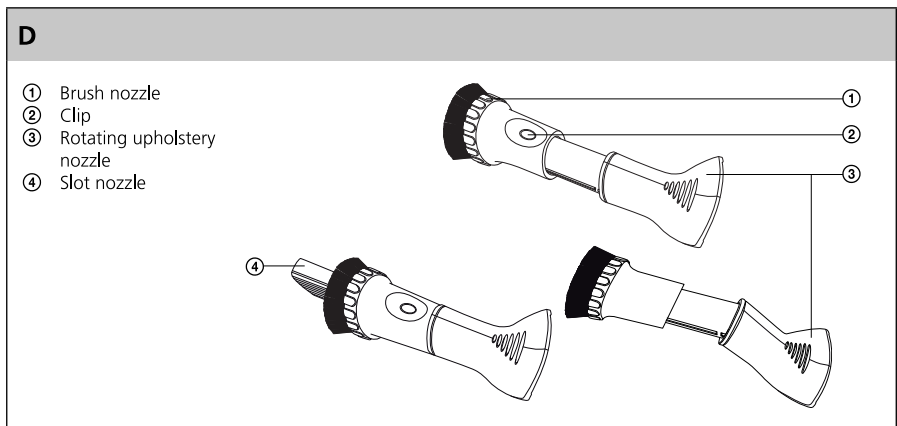
- for the horizontal parking position use the stopper at the end of the floor nozzle,
- for the vertical parking position use the stopper on the telescopic tube.



Attention:

Do not move the vacuum cleaner from place to place if the hose is in the parked position! It may break off or the lugs for the floor nozzle or telescopic tube may break off.

USING THE UNIVERSAL 3-IN-1 MINI NOZZLE



To use this nozzle, place one of its ends (depending on the type of use described later) on to the end of the telescopic tube instead of the floor nozzle. For increased comfort and improved handling, you can place it directly on to the handle (fig. A⑨).

The universal 3-in-1 mini nozzle has multiple uses. You can use it as a brush nozzle, upholstery nozzle or slot nozzle.

Vacuum cleaner

SVC 8VT / SVC 8YL (Tizio)

Access the slot nozzle by pressing clip D② and sliding in the brush nozzle. The slot nozzle (fig. D④) is used for vacuuming narrow cracks and other hard-to-reach places (e.g. windows, corners, bookshelves, the space between mattresses, upholstery, etc.)

By turning the upholstery nozzle (fit D③) you can use it for vacuuming hard-to-reach places.

**Tip:**

If you use the universal 3-in-1 nozzle very often, you can place it with the upholstery attachment end on to the specially shaped holder on the telescopic tube.

Ending the vacuuming process

When you finish vacuuming, switch the vacuum cleaner off by pressing the START / STOP button and then disconnect the power plug from the socket.

To wind the power cord back to the vacuum cleaner, press and hold the winding button with one hand. Hold the cord with your other hand to protect the vacuum cleaner input area from damage

**Tip:**

If the winding process stops and part of the power cord is still outside, release the winding button and pull the cable out again by about 50 cm and press the winding button again and repeat the winding process.

Carrying your vacuum cleaner

You can use the handle (fig. A④) to hold and carry the vacuum cleaner.

STORAGE OF VACUUM CLEANER

Before storage you can disassemble your vacuum cleaner to the individual parts or you can store it assembled with the telescopic tube locked in one of the parking positions.

Vacuum cleaner

SVC 8VT / SVC 8YL (Tizio)

EN

CLEANING AND MAINTENANCE

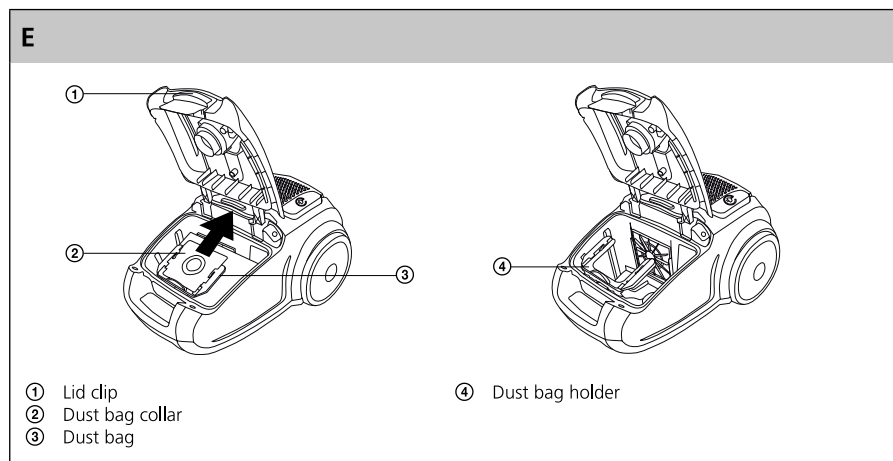


Caution:

Before cleaning disconnect this appliance from the power source.

Changing the dust bag

Replace the dust bag as soon as the full dust bag warning light comes on; otherwise the air flow and the suction strength will be reduced.



- 1) Open the vacuum cleaner filter area by pressing the lid clip while pulling it upwards at the same time.
- 2) Pull upwards to remove the holder together with the dust bag out of the vacuum cleaner.
- 3) Reinsert the holder together with a new dust bag into the vacuum cleaner.
- 4) Close the lid of the vacuum cleaner, until you hear a click.



Caution:

As a measure to protect the filtration and suction system of the vacuum cleaner, it is not possible to close the filtration area lid if the dust filter with the frame are not inserted in the vacuum cleaner.

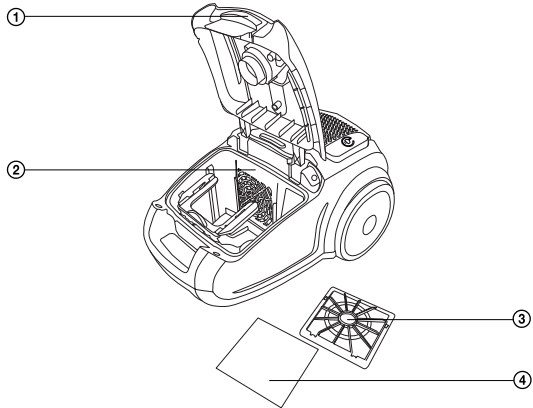
Vacuum cleaner

SVC 8VT / SVC 8YL (Tizio)

Changing and cleaning the inflow micro-filter

F

- ① Lid clip
- ② Space for the inflow micro-filter with grill
- ③ Grill of the inflow micro-filter
- ④ Inflow micro-filter



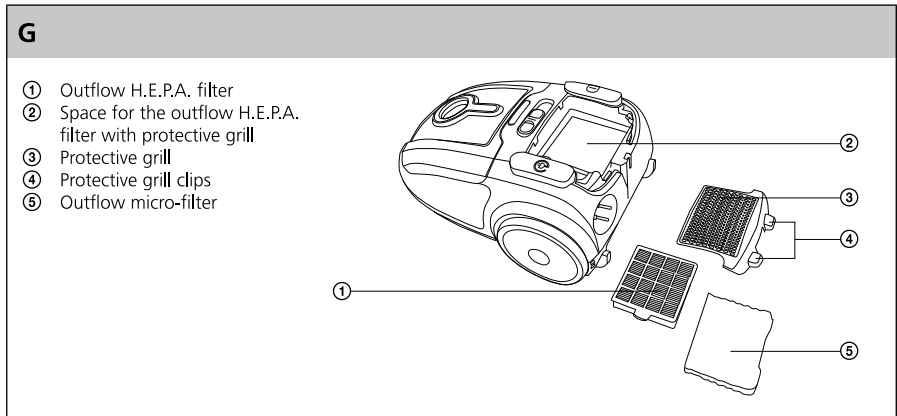
- 1) Open the vacuum cleaner filter area by pressing the lid clip while pulling it upwards at the same time.
- 2) In order to make space for removing the inflow micro-filter, pull the dust bag together with its holder upwards to take it out of the vacuum cleaner.
- 3) Pull upwards to remove the inflow micro-filter and its grill. Pull to remove the outflow H.E.P.A. filter and take it out.
- 4) If the inflow micro-filter is slightly soiled it is possible to wash it under running lukewarm water. If it is more heavily soiled then replace it with a new one (it is included inside every dust bag pack).
- 5) Place the inflow micro-filter together with the grill back in its place.
- 6) Reinsert the dust bag together with its holder.
- 7) Close the lid of the vacuum cleaner, until you hear a click.

Vacuum cleaner

SVC 8VT / SVC 8YL (Tizio)

EN

Changing and cleaning the outflow H.E.P.A. filter with the outflow micro-filter



- 1 To open the filtration space G②, press both the protective grill clips G④ simultaneously while pulling upwards
- 2) Take the outflow H.E.P.A filter G① and the outflow foam filter G⑤ out of the filtration space G②.
- 3) If the filters are slightly soiled it is possible to wash both of them under running lukewarm water. In the case of heavy soiling replace them with a new one.
- 4) Place both filters back in the filtration space.
- 5) Return the protective grill G③ and close the filtration space ensuring that you hear both clips G④ click in.



Attention:

Never insert the filters back into the vacuum cleaner if they are wet or damp! Always wait until they are thoroughly dry.

Cleaning your vacuum cleaner.

To clean the outside parts of the appliance use a fine cloth dipped in lukewarm water. Do not use aggressive cleaning agents, paint thinners or solvents. Using these solutions could damage the surface of the appliance.

Vacuum cleaner

SVC 8VT / SVC 8YL (Tizio)

TROUBLESHOOTING

Before you decide to contact an authorized service centre, please read these following tips in the troubleshooting chart:

Problem	Possible cause	Recommended action
The motor will not start	<ul style="list-style-type: none"> - The power cord is not firmly inserted in the socket - The wall power outlet is damaged - The vacuum cleaner is not switched on 	<ul style="list-style-type: none"> - Insert the plug firmly into the power outlet - Inspect the power outlet - Turn the appliance on.
The suction output is insufficient	<ul style="list-style-type: none"> - The appliance is clogged - The dust filter needs cleaning. - The filter is clogged 	<ul style="list-style-type: none"> - Remove the blockage or foreign object - Clean the dust filter - Clean the filter
The power cord is not wound in completely	The power cord may have slipped down from the winding pulley during winding.	Hold the power cord during the winding. Apply slight tension (by pulling the power cord back) to the power cord during the winding process
The power cord cannot be pulled out	The power cord is wound up incorrectly	Press the winding button and try to rewind the power cord again
The speed control is not working.	The appliance is out of order	Have the appliance repaired by technician. (only by a qualified technician).
The power cord starts to wind in when you do not required.	The winding mechanism is out of order	Have the appliance repaired (only by a qualified technician).

TECHNICAL SPECIFICATIONS

Nominal voltage	220 - 240 V AC
Nominal frequency	50 Hz
Nominal power input	700 W
Safety class (with regard to electric shock protection)	II
Noise level	74 dB(A)
Length of the power cord	7 m
Operating range	9.5 m
Dust bag capacity	2.3 l
Dimensions (length x width x height)	438 x 313 x 229 mm
Weight	5.3 kg

The declared noise emission level of the appliance is 74 dB(A), which represents a level A of acoustic power with respect to a reference acoustic power of 1 pW.

Amendments to text and technical parameters are reserved.

Vacuum cleaner

SVC 8VT / SVC 8YL (Tizio)

EN

PRODUCT INFORMATION SHEET

Name/trademark	SENCOR
Model identification number	SVC 8VT, 8YL
Energy efficiency class*	A
Annual power consumption (in kWh)**	26
Carpet cleaning efficiency class	C
Hard floor cleaning efficiency class	A
Vacuum cleaner dust emission class	A
Level of acoustic power (dB(A))	74
Rated power input (W)	700W

- * Class A (highest efficiency class, low power consumption) to Class G (lowest efficiency class, high power consumption)
- ** Approximate annual power consumption (in kWh per year) based on 50 cleaning cycles. Actual power consumption will depend on how the appliance is used.

The values are determined pursuant to (EU) No. 665/2013.

Vacuum cleaner

SVC 8VT / SVC 8YL (Tizio)

INSTRUCTIONS AND INFORMATION REGARDING THE DISPOSAL OF USED PACKAGING MATERIALS

Dispose of packaging material at a public waste disposal site.

DISPOSAL OF USED ELECTRICAL AND ELECTRONIC APPLIANCES



The meaning of the symbol on the product, its accessory or packaging indicates that this product shall not be treated as household waste. Please, dispose of this product at your applicable collection point for the recycling of electrical & electronic equipment waste. Alternatively in some states of the European Union or other European states you may return your products to your local retailer when buying an equivalent new product. The correct disposal of this product will help save valuable natural resources and help in preventing the potential negative impact on the environment and human health, which could be caused as a result of improper liquidation of waste. Please ask your local authorities or the nearest waste collection centre for further details. The improper disposal of this type of waste may fall subject to national regulations for fines.

For business entities in the European Union

If you wish to dispose of an electrical or electronic device, request the necessary information from your seller or supplier.

Disposal in other countries outside the European Union

If you wish to dispose of this product, request the necessary information about the correct disposal method from local government departments or from your seller.



This product meets all the basic EU regulation requirements that relate to it.

Changes to the text, design and technical specifications may occur without prior notice and we reserve the right to make these changes.