

TOSHIBA

Leading Innovation >>>

OWNER'S MANUAL

LED TV



43U775* Series

49U775* Series

55U775* Series

65U775* Series

For EA Models
TOSHIBA EL ARABY VISUAL PRODUCTS
Kofor El Raml, Quesna Industrial City, 3rd Zone,
Quesna, Egypt
© 2016 All Rights Reserved

For EE/EV Models
TOSHIBA GULF FZE
TOSHIBA EL ARABY VISUAL & APPLIANCES
MARKETING COMPANY
© 2016 All Rights Reserved

Owner's Record

You will find the model number and serial number on the back of the product. Record these numbers in the spaces provided below. Refer to them whenever you call upon your TOSHIBA dealer regarding this product.

Model number:

Serial number:

Contents

Safety Warning and Notice	1
Mounting and Connecting	2
Packing list.....	2
Mounting the TV set.....	2
Connecting peripheral equipment.....	2
Panel Control Keys	4
Remote Control	4
Basic Operations	5
Turning on/Standby.....	5
Signal source selection.....	6
Menu operation description.....	6
Program scanning.....	6
REC option.....	6
Time Shift option.....	7
Instructions for Intelligent Platform Operation	7
Basic Operations.....	7
Quick Start.....	7
Smart Applications.....	7
Network Settings.....	8
Important Statement on Network Services	9
Troubleshooting	9
Technical Specifications	10
Base Installation Instructions	12
License Information	13

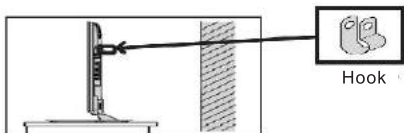
Safety Warning and Notice

Be sure to observe the following instructions and precautions to ensure safe use of this TV.

Installation

1) **WARNING:** To prevent injury, the apparatus must be securely attached to a stable surface in accordance with the installation instructions. Install the TV in a horizontal, stable location.

- If the TV is not installed securely, it may lean or fall over and cause an injury.
- To prevent injury, use the exclusive optional stand to install this TV on the a stable surface securely in accordance with a qualified technician. To secure the TV, use a sturdy strap from the hook(s) on the rear of the TV to a wall stud pillar, or other immovable structure. Make sure the strap is tight, secure, and parallel to the floor.



2) Never place the TV in an unstabilized location such as on a shaky table, incline or location subject to vibration.

- Only use cabinets or stands recommended by the TV manufacturer.
- Only use furniture that can safely support the TV.
- Ensure that the TV is not hanging over the edge of the supporting furniture.
- Never place the TV on tall furniture (for example, cupboards or bookcases) without anchoring both the furniture and the TV to a suitable support.
- Never stand the TV on a cloth or other material placed between the TV and supporting furniture.

The TV may drop or fall off, which may cause an injury or damage.

3) Never stand or climb on the TV.

- Educate children about the dangers of climbing on furniture to reach the TV or its controls.

Be especially careful in households with children to prevent them through climbing on top of the TV. It may move, fall over, break, become damaged or cause an injury.

4) Always connect the power plug to an appropriate electrical outlet equipped with 100-240 V, AC 50/60 Hz.

Never use the TV outside the specified voltage range. It may cause a fire or an electric shock.

About the fuse (only for EE models)

- In a three pin earthing-type, the fuse fitted in this plug is approved by ASTA or BSI to Bs1362.

It should only be replaced by a correctly rated and approved type and the fuse cover must be refitted. (only for British three core socket).

About the use

- Make sure to insert the plugs firmly, when plugging the AC power cord into the TV set end and wall outlet end.

- Make sure to hold the plug, when unplugging the AC power cord.

- Never use other cord except for supplied AC power cord, and never use the supplied power cord for any other purpose.

5) Never insert or remove the power plug with wet hands. This may cause an electric shock.

6) Never block or cover the slots and openings in the cabinet.

- Never place the TV so that it is facing upward or on its side.

- Never place the TV in a closet, bookcase or other similar area where the ventilation is poor.

- Never drape a newspaper, tablecloth or curtain on the TV.

- When installing the TV against a wall, always keep the TV at least 10cm away from the wall.

- Never place the TV on a soft unstable surface, such as a carpet, or a cushion.

The inside of this TV will overheat if the ventilation holes are covered, blocked or sealed, which may result in a fire.

7) Never place the TV near a heater or in direct sunlight.

The surface of the cabinet or power cord may melt and result in fire or an electric shock.

8) Never place the TV in an area exposed to high humidity levels, such as in a bathroom or close to a humidifier.

This may cause a fire or an electric shock.

9) Never place the TV next to a stove where it will be exposed to oil, smoke, or steam, or in a location where there is a large quantity of dust. This may cause a fire or an electric shock.

10)Precautions for moving the TV

• When moving the TV,be sure to remove the plug from the wall outlet and disconnect the aerial cable and audio/video cables,any steady ties and mounting screw.A fire or an electric shock may result if the power cord is damaged.

- When carrying the TV,at least two people are needed.Be sure to carry it upright.
- Never carry the TV with the screen facing up or down.

11)Precautions for installing on outdoor aerial

An outside aerial system should not be located in the vicinity of overhead power lines,or other electric light or power circuits.If the aerial falls down or drops,it may cause an injury or an electric shock.

Warning

To prevent the spread of fire,keep candles or other open flames away from this product at all times.



Mounting and Connecting

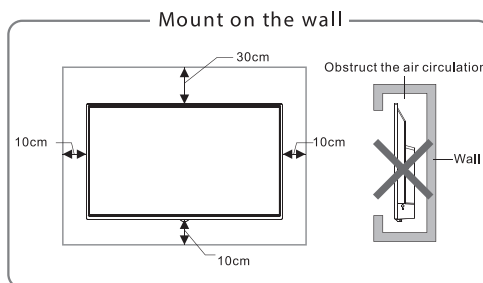
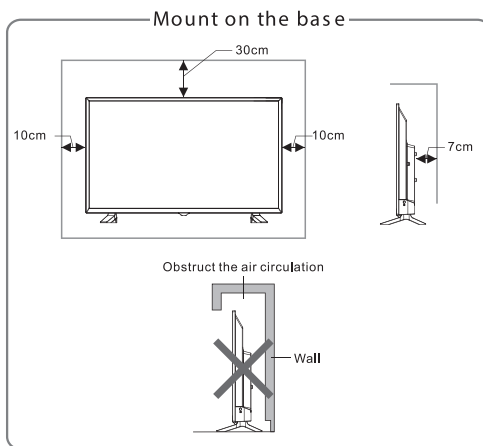
Packing list

1. The TV set.
2. User Manual.
3. Remote control and batteries R03(AAA) x2.
4. Power cord (or attached to TV set).
- 5.Hook.

Mounting the TV set

Tips on Installation

- The TV set should be mounted near the AC power socket for easy plugging and unplugging.
- For your safety, please select appropriate wall mount bracket or base.
- To avoid hurt, it is required to place the TV set on stable plane, or fix on firm wall.
- Ask qualified personnel to mount the TV set on the wall. Improper mounting may result in instable TV set.
- Do not place the TV set at any place susceptible to mechanical vibration.
- Do not place the TV set at any place that insects may enter.
- Do not mount the TV set against air conditioner, or else the internal panel of the display may condense moisture and cause failure.
- Do not place the TV set at any place with strong magnetic field, or else it may be interfered with and damaged by electromagnetic wave.



Ventilation

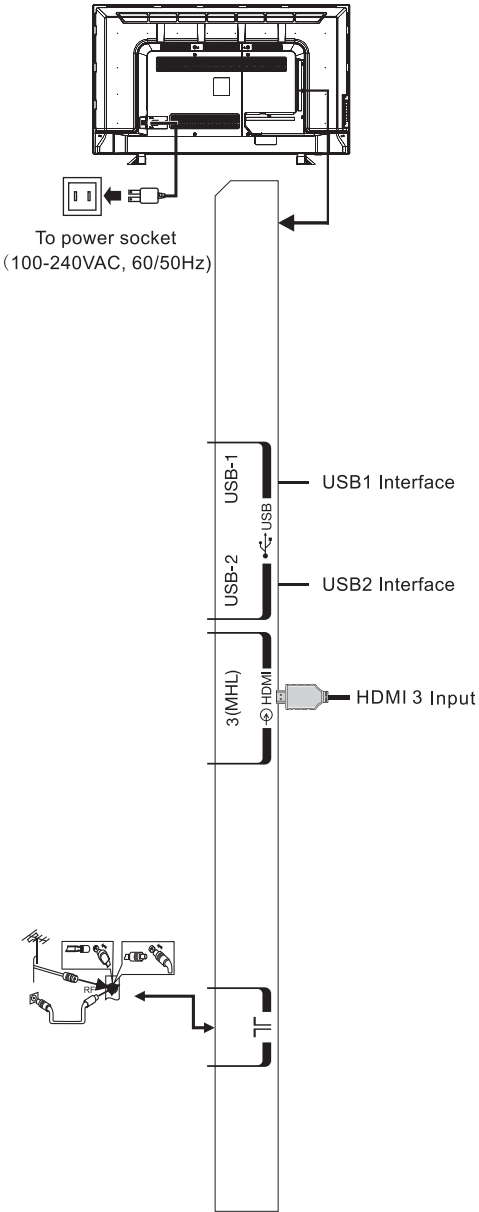
- Please keep this space at least around the TV, as shown in the figure.
- Do not cover the air vents or insert any object into the enclosure.
- Do not put the device in limited space, e.g. bookcase or embedded closet, unless the TV set is properly ventilated.

Connecting peripheral equipment

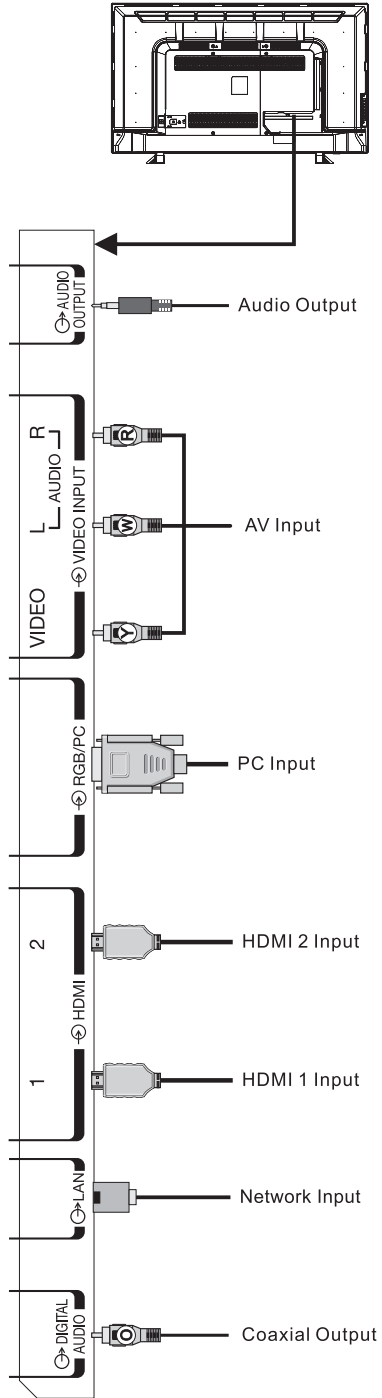
Remark

1. When connected to equipment with MHL function, please select HDMI 3 as input signal source.
2. The peripheral equipment and cables described in this manual should be purchased separately.

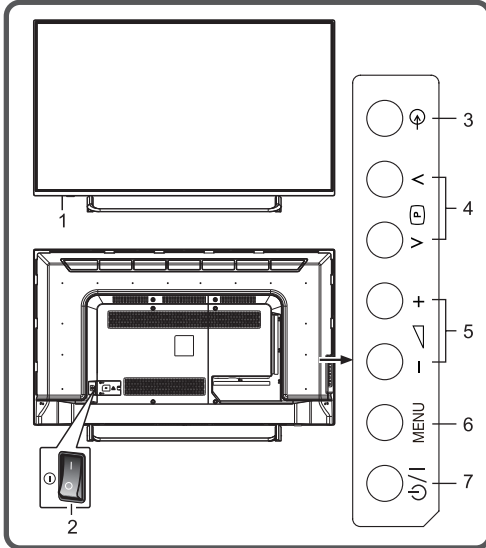
43U7750/49U7750/55U7750/65U7750



- Ⓜ Yellow (VIDEO signal cable)
- Ⓦ White (AUDIO-L signal cable)
- Ⓡ Red (AUDIO-R signal cables)
- Ⓞ Orange (Coaxial signal cable)



Panel Control Keys



- 1) Power LED indicator and remote receiving window.
- 2) ① Power switch(65U775* only): press "I" end to turn power on, and press "O" end to turn power off.
- 3) **SOURCE** (->): Press this key to enter the menu to select signal source; during OSD menu operations, press this key to confirm the operation, with the same function as the [OK] key on the remote control.
- 4) **CH-/CH+** (V P A): Channel down/up key; during OSD menu operation, press the keys to select items, with the same function as the [▼]/[▲] key on the remote control.
- 5) **VOL-/VOL+** (- / +): Volume down/up key; during OSD menu operation, press the keys to adjust the analog value, with the same function as the [◀]/[▶] key on the remote control.
- 6) **MENU**: Press this key to show the setup menu.
- 7) **I/O Standby**: To switch the TV on or back to standby.

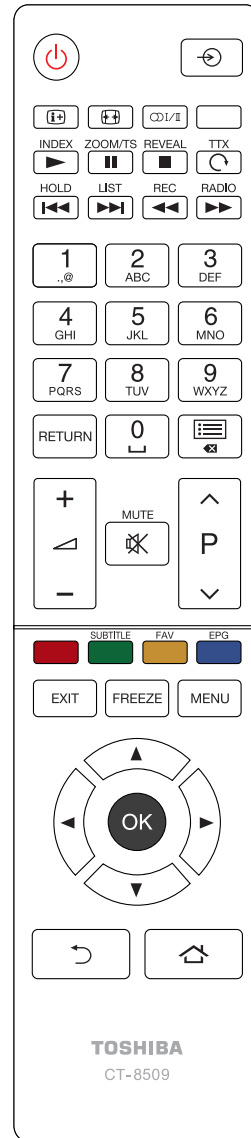
Remark:

- ①. The appearance varies depending on the model, and the actual product shall prevail.
- ②. In smart mode, please operate with the remote control.

Remote Control

Method for Installation of Remote Control Battery

Remove the battery compartment cover and insert two AAA (No. 7, 1.5V) batteries; make sure the polarity of the batteries is in compliance with the polarity mark "+" and "-" in the battery compartment of the remote control.



Keys of the Remote Control

Keys	Function
Power (⏻)	Switch between working and standby status.
EIXT	Press this button to exit menu.
MUTE (🔇)	Turn on/off the sound.
number keys	Press to enter numbers.
FREEZE	Turn on/off still image in TV mode.
Backspace (⬅️) / Program list (📺)	view program list.
🏠	Show the home page of smart TV.
MENU	Show the OSD menu.
Cursor keys (⬅️, ➡️, ⬆️, ⬇️)	Select items or adjust values.
OK	Confirm the operation.
🔊 +/-	Turn up/down the volume.
🔍	Return to previous page.
📶	Select the signal source. (only in TV mode)
P ▲ ▼	Change program channel.
📺	Show the information of the TV program.
📏	Set zoom mode. Using these functions to change the picture size (i.e., changing the height/width ratio) for any purpose other than your private viewing may be prohibited under the Copyright Laws of the United States and other countries, and may subject you to civil and criminal liability.
RETURN	Press this button to return to last watching channel.
🗣️/🔊	Set audio language or set sound mode
INDEX (▶)	Graphic homepage / Index (PLAY)
ZOOM/TS ()	Enlarge graphic. (PAUSE)
REVEAL (■)	Show / side graphic. (STOP)
TTX (🔄)	Open graphic function. (ROTATE)
HOLD (⏪)	Graphic stops updating. (LAST)
LIST (▶▶)	Graphic directory. (NEXT)
REC (⏮)	Record programme. (Fast Backward)
RADIO (▶▶)	Change to radio mode. (Fast Forward)
Red key	Special function key.
SUBTITLE (Green key)	Show/close characters. (special function key)
FAV (Yellow key)	Favorite channel. (special function key)
EPG (Blue key)	Electronic channel instructions. (special function key)

Precautions for using the remote control

- The remote control should be pointed at the remote control sensor during operation. An object placed between the remote control and the remote control sensor may impede normal operation.
- The remote control should be prevented from strenuous vibration. Besides, please do not set or place the remote control under direct sunshine, as heating power may result in deformation of the remote control.
- Remote control failure may occur when the remote control sensor of the main unit is under direct sunshine or strong lighting; in this case, please change the angle of lighting or this TV set, or operate the remote control near the remote control sensor.
- Low battery will influence the remote control distance, in which case, the battery should be replaced with a new one. If the remote control is going to be idle for a long time or the battery runs out, please take the battery out to prevent the remote control from being corroded by battery leakage which may result in damage and failure of the remote control.
- Please do not use batteries of different types. It is not allowed to use old and new batteries together; the batteries should be replaced in pair.
- Please do not throw the batteries into fire or charge or decompose the batteries; do not charge, short-circuit, disassemble/assemble, heat or burn used batteries. Please dispose the waste batteries pursuant to relevant regulations on environmental protection.

Basic Operations

Remark:

1. The keys operation refers to remote control operation, for panel control keys operation please refer to "**Panel Control Keys**" operation explanation.
2. Menu Operation Instruction in this manual is explained according to TV mode. The operations in other modes are similar to the one in TV mode, and users can take it as reference.

Turning on/Standby

Plug power cord into the electrical socket. Press "⏻" button on the TV set (If it doesn't have this button, you needn't operate this step), then press [🔊] key to turn on the TV. The screen display "Welcome" menu, Press [▲]/[▼] key to select language which you wish, then select **START** and press [OK] key to confirm, the screen display "Please Select Antenna Type and Start

Auto Scan", Press [◀]/[▶] key to select Antenna Type which you wish, then select **Next** and press [OK] key to into next step. (you can also select **Skip** and press [OK] key to skip.)

In display showing interface, Press [◀]/[▶] key to select **Search Type** which you wish, then press [▼] key and you can select country where you are by pressing [▲]/[▼]/[◀]/[▶] key, the machine start auto search channel after pressing [OK] key. (If **Antenna Type** is **DVB-C**, You have to press [◀]/[▶] key to select **Scan Type** which include **Full**, **Network** .Press [▲]/[▼] key to set **Frequency(MHZ)**, **Network ID** ,**Modulation** , **Symbol Rate**. After select **Start Scan**, Press [OK] key to confirm, the machine start scan.)

In power on state, press [⏻] key to switch to standby mode.

★ **Special Tips:** This device adopts energy saving technology. If there is no signal input in power on state, it will enter standby state automatically in five minutes; The device will enter standby state automatically at specified sleep time;

Signal source selection

You can connect various devices to the TV set and view high quality images. If the video device has HDMI, AV, PC and other video output/input ports. You can select one of them and connect to corresponding input or output ports of the TV set. After connected, turning on the device and press [SOURCE] key, then menu of signal source will be displayed on the screen. Press the [▲]/[▼] key to select the input signal, and press [OK] key to confirm .

Menu operation description

Press [MENU] key to show the main menu on the screen:

1. Press [◀]/[▶] key to select a menu from **Picture, Sound, Channel, Setting, Parental Control**.
2. Press [▲]/[▼] key to select an item in the menu.
3. Press [OK] key to enter the submenu.
4. Press [◀]/[▶] key to adjust the value or setting.
5. When the main menu shows on the screen, press [↶]/[MENU] key to exit the main menu; Press [↶]/[MENU] key to return to previous menu when the TV display the sub-menu.
6. During menu operation, the icons of invalid options will change into grey.

Note: The default password for the lock system is **0000**.

Program scanning

Tune the programs before watching the TV for the first time. Before scanning, please make sure that the antenna has been connected properly and select

Antenna Type which want to choose. The following example channel searching **Antenna Type** is under **DVB-T**.

Auto Tuning

Press [MENU] key, Select **Channel > Auto Tuning**, Press [OK] key, then press [◀]/[▶] key to select Search Type: **ATV+DTV, ATV, DTV**, Press [▼] key, you can select country where you are by pressing [▲] / [▼]/[◀]/[▶], Press [OK] key to confirm, the machine start auto tuning. During auto tuning, the screen display "Are you sure to exit DTV Tuning?" by pressing [MENU] key. Select **YES** and press [OK] key to confirm, the machine start auto tuning ATV channel, or select **NO** and press [OK] key to cancel. During auto tuning ATV channel, the screen display "Are you sure to exit ATV Tuning?" by pressing [MENU] key. Select **YES** and press [OK] key to confirm, or select **NO** and press [OK] key to cancel.

DTV Manual Tuning (In DTV signal source)





Press [MENU] key, Select **Channel > DTV Manual Tuning**, Press [OK] key to enter **DTV Manual Tuning** menu, Press [◀]/[▶] key to select channel, then press [▼] key to select **Search** and press [OK]/[◀]/[▶] key to confirm. During the search you may press [MENU] key to interrupt the search and return to the last menu.





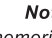
ATV Manual Tuning (In ATV signal source)

Press [MENU] key, Select **Channel > ATV Manual Tuning**, Press [OK] key to enter **ATV Manual Tuning** menu, Press [▲]/[▼] key to select **Channel/Color System/Sound System**, and then press [◀]/[▶] key to select which you wish. then select **Search**, press [◀]/[▶] key to search from low frequency or high frequency. After selecting frequency, press [◀]/[▶] key to tune from low frequency or high frequency. During manual searching, you also may press [MENU] key to interrupt the search and return to the last menu.

REC option

In DTV mode, Press [REC] key, REC option menu shows on the screen, and system begin recording right now. Press [REVEAL] key to stop and quit recording; After quit recording, press [INDEX] key, the recorded list will pop up, select the file you want to play, then press [OK] key to play it.










Icon	Description
	Play: Play or set A-B repeat.
	Stop: Stop and quit.
	Pause: Pause.
	Rev: Fast back, press [INDEX] key to play normally.

	FF: Fast forward, press [INDEX] key to play normally.
	Slow Motion: Slow down playback, press [INDEX] key to play normally.
	Time Play: Select time to play.
	Forward: Make a 30S jump forward.
	Backward: Make a 30S jump backward.

Note: The recording function can only support memorizer with FAT32 file system. Memorizer with other file systems need to be formatted; Before formatting memorizer, back-up useful data because the content of memorizer can not recover after formatting.

Time Shift option

In DTV mode, Press [ZOOM/TS] key, Time Shift option menu shows on the screen and the program is in suspended state. Press [INDEX] key to resume play program. Press [REVEAL] key to stop and quit time-shift. When user leaves program for a short time, time-shift function can suspend and cache the playing program can continue to be played.

Icon	Description
	Play: Play or set A-B repeat.
	Stop: Stop and quit.
	Pause: Pause.
	Rev: Fast back, press [INDEX] key to play normally.
	FF: Fast forward, press [INDEX] key to play normally.
	Slow Motion: Slow down playback, press [INDEX] key to play normally.
	Time Play: Select time to play.
	Forward: Make a 30S jump forward.
	Backward: Make a 30S jump backward.

Instructions for Intelligent Platform Operation

Basic Operations

Press [▲] key on the remote control to show the home page.

1. Press [▲]/[▼]/[◀]/[▶] key to select an application;
2. Press [OK] key to run the application;
3. Press [↶] key to return to previous page;

★ Special Tips

The operations in smart mode are complicated. The user can install Apps with different operation

methods, and the operations described in this manual are for reference only. Part of applications need external equipment to run normally. Certain functions are invalid from the remote control. For more convenient operation, please operate with USB mouse and keyboard.

Quick Start

Before using this device, please get familiar with the operations below for better experience.

Mouse Control

1. Click: Click the mouse and release immediately;
2. Press and hold: Click the mouse and hold for at least three seconds;
3. Clicking the left mouse key has the same effect as pressing [OK] key on the remote control;
4. Clicking the right mouse key has the same effect as pressing [↶] key on the remote control.

Language input setting

Language: Select the system language; select **Settings > Preferences > Language**, and press [OK] key; press [▲]/[▼] key to select the desired language, and then press [OK] key.

Selecting Input Method: In the smart mode, select **Settings > Preferences > Keyboard >Current Keyboard**, and press [OK] key then press [▲]/[▼] key to choose input method in the sub-menu; you can also download and install third party input method.

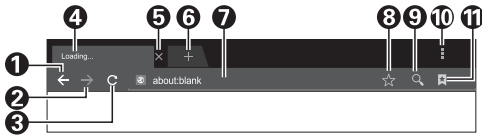
Setting System Time: In the smart mode, select **Settings > Preferences > Date & time > Automatic date&time(Form Network)**, press [OK] key then press [▲]/[▼] key to select "on" or "off" and the system update the clock from the network automatically when it is on state; if the TV set isn't connected to the network, you can only set the system time manually.

Smart Applications

TV: In Smart mode, select TV in the main interface, and press [OK] key to back to TV mode.

Browser: You can use the browser to show the text, video, audio and other information on the Internet.

Before accessing the Internet, please connect your TV set to the Internet; refer to "**Network Settings**" for details.



1	Back to the previous webpage.
2	Go forward to the next webpage.
3	Refresh the webpage.
4	Webpage window of the browser.
5	Close the current webpage window.
6	Add a new webpage window.
7	Input box for URL.
8	Option for adding a bookmark.
9	Input option of URL.
10	Menu option of browser.
11	Option for viewing bookmark.

■ **How to access web address?**

Press [▲]/[▼]/[◀]/[▶] key to select the address bar, and type the web address in the address bar, then select the **Go** icon in the input method, and press [OK] key to access the web address.

■ **How to save a page in the Bookmark?**

Select the icon the browser interface, and press [OK] key enter the browser tab and web address. Select **Account**, and press [OK] key. Press [▲]/[▼] key to select the account for storage, and then press [OK] key. Select **OK**, and then press [OK] key to add the bookmark.

■ **How to copy and paste the text in the web page?**

Place the cursor on the text to copied, press and hold the left mouse key. When the pair of selecting cursors appears on the screen, drag the cursor to select the text. Select **COPY** on the screen, and click the left mouse key. Select the target position, press and hold the left mouse key, and click **Paste** in the popup dialog box.

SW Update(USB)

Upgrading software By our Maintenance Technician.

USB Installer: The **USB installer** helps users manage applications, and allows users to install or uninstall apps in local disk.

Note: Select **Settings > Personal > Security & restrictions > Unknown sources** to allow installation of app from unknown sources.

■ **How to install an application?** Enter **USB Installer**, select **Install** and press [OK] key to enter; Select the path of the target installation file in local disk, locate the installation package in the right panel, and then press [OK] key.

■ **How to uninstall an application?** Select **Manage**, and press [OK] key to enter. Select the application to be removed, and press [OK] key. Select **Uninstall**, click [OK] key, and the system will uninstall

the application automatically.

Multimedia Player: In smart mode, select **Multimedia** in the main interface, and press [OK] key to run. Select the file type from **All**, **Picture**, **Music** and **Video** in the left.

■ **Playing Files in local disk device:** Before playing files in the local disk, insert the USB mass storage device into the USB interface.

Select local disk device in the file directory in the center, and press [OK] key to enter. Select **Back** in the directory, press [OK] key to return to previous folder. Select the target folder, press [OK] key to enter the folder, and press [⏪] key to return to the desktop.


Attention:

1. Nonstandard USB devices can't be recognized probably; in this case, please replace a standard USB device;
2. The stream media system has certain restriction on the format of files; the playing will be abnormal if it is out of the system restriction;
3. Do not remove the USB device while playing, or else the system or device may have problem; Before replace the USB device, please turn off the machine's power supply;
4. The system supports standard USB1.1 and USB2.0 devices, such as USB mass storage devices and removable hard disks;
5. The maximum output current of the USB port of this device is 500mA, and the self-protection will be enabled if it is beyond this limit; please use external power supply if an external device of higher current will be connected;
6. The system is complicated; when it is reading or playing files, the screen may be still or certain functions may be invalid due to the compatibility and stability of the USB device; in this case, please turn off the device and re-initialize the system.

Press [INFO] key can display or hide toolbar, While playing, select the menu option which you want, and press [OK] key to perform the operation; you can press [⏪] key to exit playing, or press [▶]/[||]/[■]/[◀], [▶▶] key on the remote control to perform shortcut operation.

Network Settings
Wireless network

1. In smart mode, select **Settings > Device > Network**, press [OK] key, then press [▲]/[▼] key to chose WLAN switch, press [OK] key then press [▲]/[▼] key to select "on" or "off" and the machine automatically search for nearby wireless network signal when it is on state. When the network has searched icon indicate that machine connects to the network

without a password. When searching for the network to have  icon indicate that the network is encrypted, must enter the correct password to connect to the network .

2. Select the network you want to select in the network list, and press **[OK]** key;
3. Type network connecting password in the Password box, then select **To Connect** and press **[OK]** key to connect to network;
4. If your router does not support automatically obtain an IP address, you need to select **Advanced options > IP settings > STATIC**, and press **[OK]** key to confirm;
5. Enter the IP address, gateway, network prefix length and other information; (IP address, gateway, network prefix length and other information available to the relevant network administrator);
6. Select **To Connect** again and press **[OK]** key to connect to the network.

Ethernet: (Dial to connect to the network)

1. Select **Settings > Device > Network > Ethernet** and press **[OK]** key;
2. If your devices does not support automatically obtain an IP address, you need to select **Advanced options > IP settings > STATIC**, and press **[OK]** key to confirm;
3. Enter the IP address, Gateway, Network Prefix Length and other information; (IP address, gateway, network prefix length and other information available to the relevant network administrator);
4. Select **To Connect** again and press **[OK]** key to connect to the network.

When using a wireless network

CAUTION:

- Bluetooth™ and Wireless LAN devices operate within the same radio frequency range and may interfere with one another. If you use Bluetooth™ and Wireless LAN devices simultaneously, you may occasionally experience a less than optimal network performance or even lose your network connection.
- If you should experience any such problem, immediately turn off either your Bluetooth™ or Wireless LAN device.
- Actual performance can vary, including lower wireless network capacity, data throughput rate, range and coverage.
- Performance depends on many factors, conditions and variables, including distance from the access point, volume of network traffic, building materials and construction, operating system used, mix of wireless products used, interference and other adverse conditions.

Wireless LAN and your Health

Wireless LAN products, like other radio devices, emit radio frequency electromagnetic energy. The level of energy emitted by Wireless LAN devices,

however, is far less than the electromagnetic energy emitted by wireless devices such as mobile phones. Because Wireless LAN products operate within the guidelines found in radio frequency safety standards and recommendations, TOSHIBA believes Wireless LAN is safe for use by consumers. These standards and recommendations reflect the consensus of the scientific community and result from deliberations of panels and committees of scientists who continually review and interpret the extensive research literature.

In some situations or environments, the use of Wireless LAN may be restricted by the proprietor of the building or responsible representatives of the organization. Such restrictions may apply in environments where the risk of interference to other devices or services is perceived or identified as harmful.

If you are uncertain of the policy that applies to the use of wireless devices in a specific organization or environment, you are encouraged to ask for authorization to use the Wireless LAN device prior to turning on the equipment.

Important Statement on Network Services

All contents and services obtained from this TV set belong to the third party and are protected by laws on copyright, patent right, trademark right and/or other intellectual property right. The said contents and services are only for your non-commercial purposes. It is not allowed to use any content or service without the authorization of the content owner or the service provider.

Our company will undertake no liability for any direct, indirect and accidental losses or damages caused by your or a third party's access to any content or service or any information or any third party software through this set under any circumstances.

Third party service may be changed, deleted or stopped without prior notice. Our company neither implies nor guarantees the continuous availability of some service or content within any period of time.

Our company is not held responsible for services related to the said service and content. Besides, we will not bear any liability for client service. Please directly contact relevant content and service providers if you have any problem and service request concerning relevant service or content.

Troubleshooting

- **Snowflake spots occur in the TV images and there is noise in accompanying sound.**
 1. Check if the antenna plug is loose or the cable is in good condition.
 2. Check the antenna type (VHF/UHF).
 3. Adjust the direction and position of the antenna.
 4. Try to use signal enhancer.
- **There is neither display nor sound on the screen. The indication light is not on.**
 1. Check if the power line is connected.
 2. Press the " " button on the panel.
- **Dotted line or strip disturbance occurs in TV images.**

Do not use electric hair dryer aside the TV set and adjust the antenna direction to reduce disturbance.
- **Double images occur on the TV screen.**
 1. Use high oriented antenna.
 2. Adjust the direction of the antenna.
- **The images are colorless.**

Enter "Picture" setting to increase color saturation.
- **The TV has no accompanying sound.**
 1. Adjust the volume to a proper degree.
 2. Press [MUTE] key on the remote control to cancel mute mode.
- **No signal input images show on the machine screen. The indicator light is blinking.**
 1. Check if the signal connecting cable is loose or falls off. Reconnect it.
 2. The computer may be in standby mode, please reboot.
- **Images displayed on the PC deviate. The screen is not full or is exceeded. The display is fuzzy.**
 1. Use automatic adjustment function.
 2. Enter "PC Image Mode" adjustment level or vertical position.
 3. Use the recommended mode.
- **The remote control distance is short or out of control.**
 1. Remove the object to avoid blocking the remote control receiving window.
 2. Replace the battery.
- **The browser cannot access any link.**
 1. Ask the network administrator to obtain available IP address and other parameters.
 2. Check if the network connecting cable is normally connected.
 3. Consult the network service provider.

2. Please try to replace with other addresses to obtain better resources.

- **Machine is slow, system crash, can't operate the machine.**

Disconnect the power supply first, and connect the power supply after about 1-2 minutes, then turn on the TV again.

Technical Specifications

Master unit

Panel size	43"
Max. Resolution	3840×2160
Pixel Pitch	0.2451mm×0.2451mm
Active Area	941.184mm×529.416mm
Power Supply	100-240VAC 60/50Hz
Audio output power	8W+8W

Panel size	49"
Max. Resolution	3840×2160
Pixel Pitch	0.27963mm×0.27963mm
Active Area	1073.7792mm×604.0008mm
Power Supply	100-240VAC 60/50Hz
Audio output power	8W+8W

Panel size	55"
Max. Resolution	3840×2160
Pixel Pitch	0.315mm×0.315mm
Active Area	1209.6mm×680.4mm
Power Supply	100-240VAC 60/50Hz
Audio output power	8W+8W

Panel size	65"
Max. Resolution	3840×2160
Pixel Pitch	0.372022 mm×0.372022 mm
Active Area	1428.57 × 803.569
Power Supply	100-240VAC 60/50Hz
Audio output power	8W+8W

Operating environment:

Temperature: 5°C~40°C

RH: 10%~85%

Atmospheric pressure: 86kPa~104kPa

Storage environment:

Temperature: -20°C~55°C

RH: 5%~95%

Atmospheric pressure: 86kPa~104kPa

Dimension (L×H×W) and Weight

43U7750

Dimensions With Stand - W*D*H(mm)	968*206*604
Dimensions Without Stand - W*D*H(mm)	968*78*567
Dimensions With Packing - W*D*H(mm)	1085*150*667
Net Weight (With Stand) (Kg)	8
Gross Weight with Packing (Kg)	10

49U7750

Dimensions With Stand - W*D*H(mm)	1102*229*687
Dimensions Without Stand - W*D*H(mm)	1102*82*639
Dimensions With Packing - W*D*H(mm)	1210*175*744
Net Weight (With Stand) (Kg)	10
Gross Weight with Packing (Kg)	13.5

55U7750

Dimensions With Stand - W*D*H(mm)	1243*229*767
Dimensions Without Stand - W*D*H(mm)	1243*82*722
Dimensions With Packing - W*D*H(mm)	1355*175*824
Net Weight (With Stand) (Kg)	14
Gross Weight with Packing (Kg)	19

65U7750

Dimensions With Stand - W*D*H(mm)	1453*280*896
Dimensions Without Stand - W*D*H(mm)	1453*88*844
Dimensions With Packing - W*D*H(mm)	1620*205*965
Net Weight (With Stand) (Kg)	21
Gross Weight with Packing (Kg)	29

Technical specifications for TV

- Supported standard:
 - ATV:** PAL D/K, I, B/G, SECAM D/K, B/G, L;
 - DTV:** DVB-T/C (DVB-T2 option).
- Antenna input: 75 Ω coax, unbalanced.
- AV video input: 75 Ω, 1±0.1Vp-p, RCA terminal.
- AV audio input: 20K Ω, 0.2~2Vrms.
- HDMI video input: 480i, 480P, 576i, 576P, 720P, 1080i, 1080P, 2160i, 2160P.
- Specific internal memory capacity in accordance with actual configuration.
- Specific cache capacity in accordance with actual configuration.
- Wireless connection: Wi-Fi (IEEE 802.11 b/g/n).
- Intelligent operating system: Android.

Media Player Supported Formats

File Format	Coding Format	Resolution
JPEG	Base-line	1920x1080
	Progressive	1024x768
PNG	non-interlace	4000x4000
	interlace	1200x800
BMP		15360x8640

Audio	File Format	File Coding
	N/A	AC3

Type	File Format	Coding Format	Audio
Video	AVI	H. 264	AC-3
	MKV	H. 264	
		HEVC (H. 265)	
	VOB	MPEG2	
	MOV	H. 264	
		MPEG4	
	MP4	MPEG4	
		MPEG2	
		HEVC (H. 265)	
		H. 264	
	MPG	MPEG2	
	3GP	MPEG4	
TS	MPEG2		
	HEVC (H. 265)		
	H. 264		

HDMI display mode

Video mode			
NO.	Mode	Resolution	Refresh rate
1	SD	720×480i/p	60Hz
2		720×576i/p	50Hz
3		1280×720p	50Hz
4			60Hz
5	HD	1920×1080i/p	50Hz
6			60Hz
7	UHD	3840×2160i/p	24Hz
8			25Hz
9			30Hz
10			50Hz
11			60Hz

Remark: Under UHD mode, 50Hz and 60Hz refresh rate is effective only under HDMI version 2.0.

VGA mode			
NO.	Mode	Resolution	Refresh rate
1	VGA	640×480	60Hz
2	SVGA	800×600	60Hz
3	XGA	1024×768	60Hz
4	WXGA	1360×768	60Hz
5		1600×900	60Hz
6	WUXGA	1920×1080	60Hz
7	4K	3840×2160	30Hz
8			60Hz

Remark: Under 4K mode, 60Hz refresh rate is effective only under HDMI version 2.0.

VGA display mode

NO.	Mode	Resolution	Refresh rate
1	VGA	720×400	70Hz
2		640×480	60Hz
3	SVGA	800×600	60Hz
4	XGA	1024×768	60Hz
5		1280×720	60Hz
6	WXGA	1360×768	60Hz
7		1600×900	60Hz
8	WUXGA	1920×1080	60Hz

Recommended mode: 1920X1080@60Hz

Power management

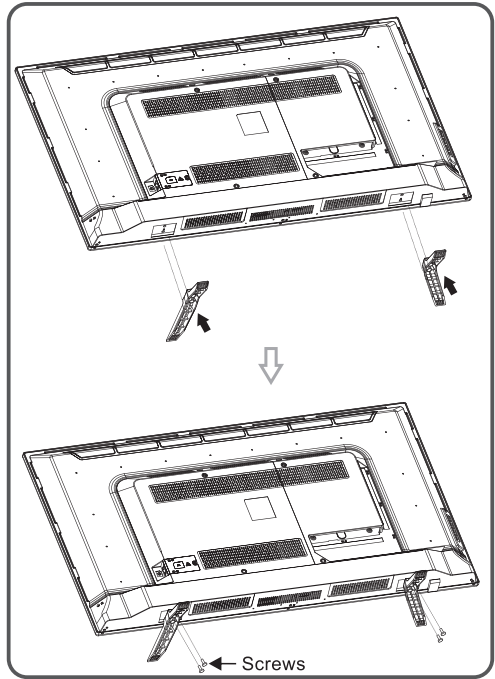
Mode	Power Consumption			
	43"	49"	55"	65"
Normal working	≤98W	≤130W	≤155W	≤200W
Standby	≤0.5W	≤0.5W	≤0.5W	≤0.5W

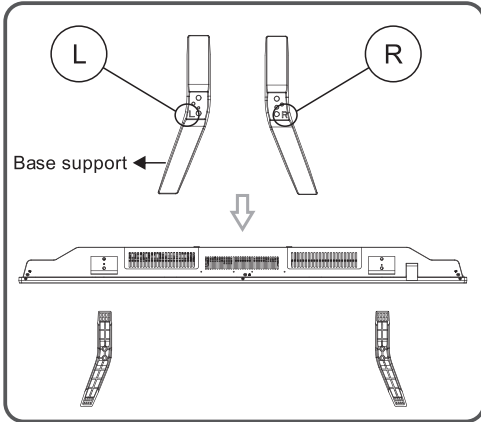
Designs and specifications are subject to change without notice

Base Installation Instructions

43U7750/49U7750/55U7750

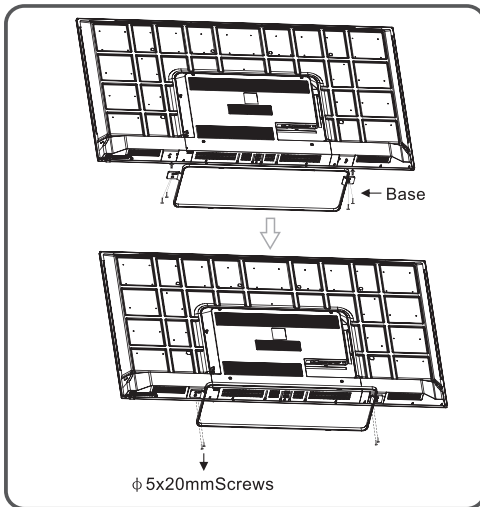
First, put set flat on table, distinguish left and right base installation direction according to figure, then install base in bottom of set back cover as arrow direction in figure, and make top round hollow of base V corner aligned with raised stand of back cover bottom on set (notice that hollows of left and right raised stand size is different), make screw holes aligned, then fasten screws. (Base module has to be adjusted to figure state; otherwise base can't be installed in)





65U7750

Put set flat on table first. Install base in set back cover bottom according to arrow direction in figure, align the positioning hole on base left and right side square support part and set back cover positioning convex stand, then fasten screws. (notice that base has to be adjusted at figure status, otherwise it cannot be installed in)



Remark: The actual base and set appearance may be different from pictures; please refer to the actual device.

The following symptoms are technical limitations of LCD Display technology and are not an indication of malfunction; therefore, Toshiba is not responsible for perceived issues resulting from these symptoms.

1)An afterimage(ghost) may appear on the screen if a fixed, nonmoving image is displayed for a long period of time, The afterimage is not permanent and will disappear in a short period of time.

2)The LCD panel contained in this TV is manufactured using an extremely high level of precision technology; however, there may be an occasional pixel(dot not light that does not operate properly(does not light, remains constantly lit, etc.). This is a structural property of LCD technology, is not a sign of malfunction, and is not covered under your warranty. Such pixels are not visible when the picture is viewed from a normal viewing distance.

Note: Interactive video games that involve shooting a "gun" type of joystick at an on-screen target may not work with this TV.

License Information

- The terms HDMI and High-Definition Multimedia Interface, and the HDMI Logo are trademarks or registered trademarks of HDMI Licensing LLC in the United States and other countries.



- DVB is a registered trademark of the DVB Project.
- [1] EIA/CEA-861-D compliance covers the transmission of uncompressed digital video with high-bandwidth digital content protection, which is being standardized for reception of high-definition video signals. Because this is an evolving technology, it is possible that some devices may not operate properly with the television.

Mp3 licence letter
MPEG Layer-3 audio coding technology licensed from Fraunhofer IIS and Thomson.

Mp4 licence letter
THIS PRODUCT IS LICENSED UNDER THE MPEG-4 VISUAL PATENT PORTFOLIO LICENSE FOR THE PERSONAL AND NON-COMMERCIAL USE OF A CONSUMER FOR (I) ENCODING VIDEO IN COMPLIANCE WITH THE MPEG-4 VISUAL STANDARD (MPEG-4 VIDEO) AND /OR (II) DECODING MPEG-4 VIDEO THAT WAS ENCODED BY A CONSUMER ENGAGED IN PERSONAL AND NON-COMMERCIAL ACTIVITY AND/OR WAS OBTAINED FROM A VIDEO PROVIDER LICENSED BY MPEG LA TO PROVIDE MPEG-4 VIDEO. NO LICENSE IS GRANTED OR SHALL BE IMPLIED FOR ANY OTHER USE. ADDITIONAL INFORMATION INCLUDING THAT RELATING TO PROMOTIONAL, INTERNAL AND COMMERCIAL USES AND LICENSING MAY BE OBTAINED FROM MPEG LA, L.L.C. SEE [HTTP://WWW.MPEGLA.COM](http://www.mpegla.com)

Licence Notification
 TRADEMARK ACKNOWLEDGMENT
 Manufactured under license from Dolby
 Laboratories, Dolby, Dolby Audio and the double-D
 symbol are trademarks of Dolby Laboratories.



Disposal

The following information is only for EU-member states:

Disposal of products

The crossed out wheeled dust bin symbol indicates that products must be collected and disposed of separately from household waste. Integrated batteries and accumulators can be disposed of with the product. They will be separated at the recycling centers. The black bar indicates that the product was placed on the market after August 13, 2005. By participating in separate collection of products and batteries, you will help to assure the proper disposal of products and batteries and thus help to prevent potential negative consequences for the environment and human health. For more detailed information about the collection and recycling programmes available in your country, please visit our website (www.toshiba.eu/recycling) or contact your local city office or the shop where you purchased the product.



Disposal of batteries and/or accumulators

The crossed out wheeled dust bin symbol indicates that batteries and/or accumulators must be collected and disposed of separately from household waste. If the battery or accumulator contains more than the specified values of lead (Pb), mercury (Hg), and/or cadmium (Cd) defined in the European Battery Directive, then the chemical symbols for lead (Pb), mercury (Hg), and/or cadmium (Cd) will appear below the crossed out wheeled dust bin symbol. By participating in separate collection of batteries, you will help to assure the proper disposal of products and batteries and thus help to prevent potential negative consequences for the environment and human health.

For more detailed information about the collection and recycling programmes available in your country, please visit our website (www.toshiba.eu/recycling) or contact your local city office or the shop where you purchased the product.



Jordan only

This product is carrying the CE -mark in accordance with the related European Directives.

