

# SONY®

4-733-911-12(1)



## Television

Reference Guide

GB

參考指南

CT



## BRAVIA

KD-85X8500F / 75X8500F / 65X8500F / 55X8500F / 49X8500F

# Table of Contents

|   |    |
|---|----|
| Safety Information . . . . .                    | 3  |
| Precautions . . . . .                           | 6  |
| Parts and Controls . . . . .                    | 8  |
| Controls and Indicators . . . . .               | 8  |
| Using Remote Control . . . . .                  | 9  |
| Remote Control Parts Description . . . . .      | 9  |
| Connection Diagram . . . . .                    | 11 |
| Installing the TV to the Wall . . . . .         | 13 |
| Using the optional Wall-Mount Bracket . . . . . | 13 |
| SU-WL500 (KD-85/75X8500F only) . . . . .        | 15 |
| SU-WL450 (Except KD-85/75X8500F) . . . . .      | 18 |
| Troubleshooting . . . . .                       | 22 |
| Troubles and Solutions . . . . .                | 22 |
| Specifications . . . . .                        | 23 |

## Introduction

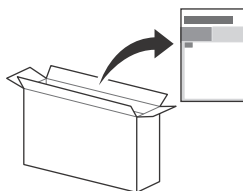
Thank you for choosing this Sony product. Before operating the TV, please read this manual thoroughly and retain it for future reference.

### Note

- Before operating the TV, please read the "Safety Information" (page 3).
- Instructions about "Installing the TV to the Wall" are included within this TV's instruction manual.
- Images and illustrations used in the Setup Guide and this manual are for reference only and may differ from the actual product.

## Attaching the Table-Top Stand to the TV

Refer to the Setup Guide on top of the cushion.



### Help

Find more troubleshooting and other useful information directly from your TV. Press **HELP** on the remote control to display a list of topics, or to search by keyword.

### Help Guide (Manual)

For more detailed information, select [Help Guide] from the Help menu on your TV. You can also check the Help Guide from your PC or smartphone (information provided on the back cover).

## Location of the identification label

Labels for the TV Model No. and Power Supply rating are located on the rear of the TV.

For models with supplied AC adapter:

Labels for the AC adapter Model No. and Serial No. are located on the bottom of the AC adapter.

This television is designed for use in Hong Kong and ensured the usage in Hong Kong only.

## Safety Information

### WARNING

#### Caution

Risk of explosion if the battery is replaced by an incorrect type. Batteries must not be exposed to excessive heat such as sunshine, fire or the like or extremely low air pressure that can result in an explosion or leakage of flammable liquid or gas.

#### Stability Hazard

The television set may fall, causing serious personal injury or death.

Never place a television set in an unstable location. A television set may fall, causing serious personal injury or death. Many injuries, particularly to children, can be avoided by taking simple precautions such as:

- Using cabinets or stands recommended by the manufacturer of the television set.
- Only using furniture that can safely support the television set.
- Ensuring the television set is not overhanging the edge of the supporting furniture.
- Not placing the television set on tall furniture (for example, cupboards or bookcases) without anchoring both the furniture and the television set to a suitable support.
- Not placing the television set on cloth or other materials that may be located between the television set and supporting furniture.
- Educating children about the dangers of climbing on furniture to reach the television set or its controls.

If your existing television set is being retained and relocated, the same considerations as above should be applied.

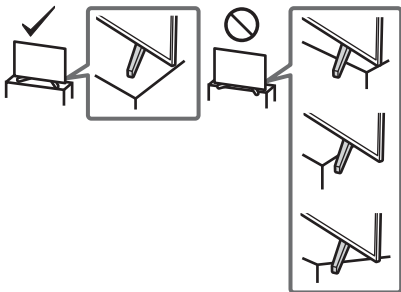
### Installation/Set-up

Install and use the TV set in accordance with the instructions below in order to avoid any risk of fire, electric shock or damage and/or injuries.

Apparatus connected to the protective earthing of the building installation through the mains connection or through other apparatus with a connection to protective earthing – and to a television distribution system using coaxial cable, may in some circumstances create a fire hazard. Connection to a television distribution system therefore has to be provided through a device providing electrical isolation below a certain frequency range (galvanic isolator, see EN 60728-11).

#### Installation

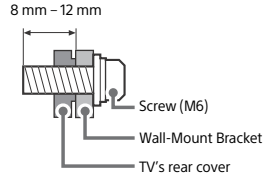
- The TV set should be installed near an easily accessible AC power outlet (mains socket).
- Place the TV on a stable, level surface to prevent it from falling over and causing personal injury or property damage.
- Install the TV where it cannot be pulled, pushed, or knocked over.
- Install the TV so that the TV's Table-Top Stand does not protrude out from the TV stand (not supplied). If the Table-Top Stand protrudes out from the TV stand, it may cause TV set to topple over, fall down, and cause personal injury or damage to the TV.



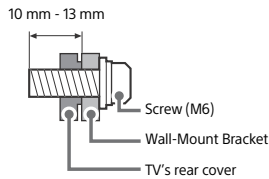
- Only qualified service personnel should carry out wall-mount installations.

- For safety reasons, it is strongly recommended that you use Sony accessories, including:
  - Wall-Mount Bracket SU-WL500 (KD-85/75X8500F only)
  - Wall-Mount Bracket SU-WL450 (Except KD-85/75X8500F)
- Be sure to use the screws supplied with the Wall-Mount Bracket when attaching the Wall-Mount Bracket to the TV set. The supplied screws are designed as indicated by illustration when measured from the attaching surface of the Wall-Mount Bracket. The diameter and length of the screws differ depending on the Wall-Mount Bracket model. Use of screws other than those supplied may result in internal damage to the TV set or cause it to fall, etc.

#### KD-85/49X8500F



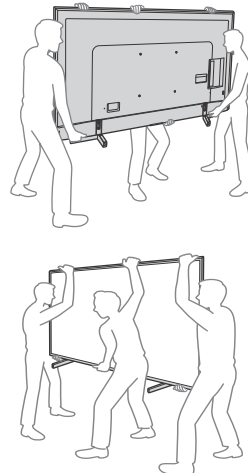
#### KD-75/65/55X8500F



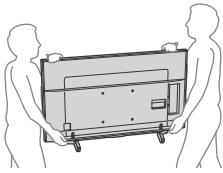
### Transporting

- Before transporting the TV set, disconnect all cables.
- Two or more people (three or more people for KD-85X8500F) are needed to transport a large TV set.
- When transporting the TV set by hand, hold it as shown below. Do not put stress on the LCD panel and the frame around the screen.
- When lifting or moving the TV set, hold it firmly from the bottom.

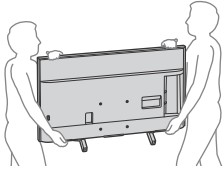
#### KD-85X8500F



KD-75/65/55X8500F



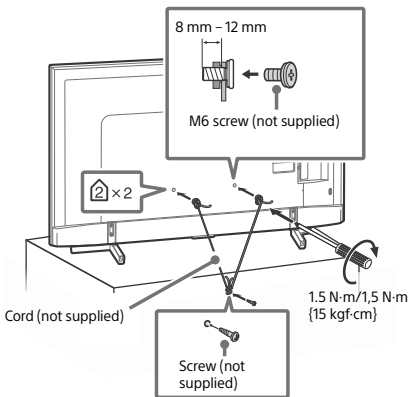
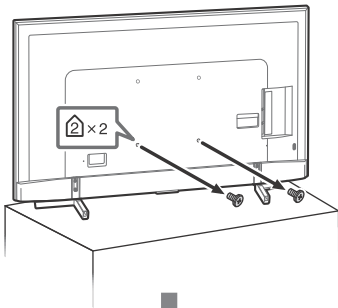
KD-49X8500F



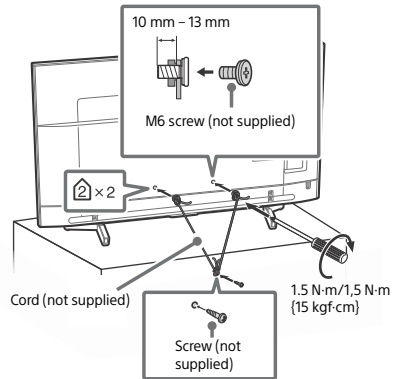
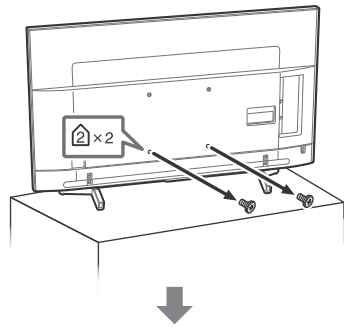
- When transporting the TV set, do not subject it to jolts or excessive vibration.
- When transporting the TV set for repairs or when moving, pack it using the original carton and packing material.

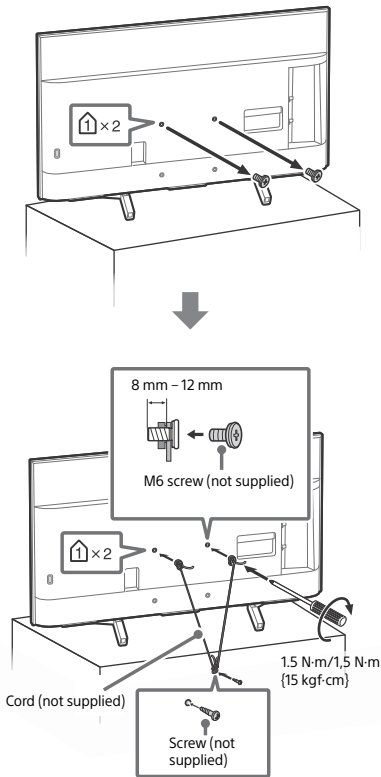
### Topple prevention

KD-85X8500F



KD-75/65/55X8500F

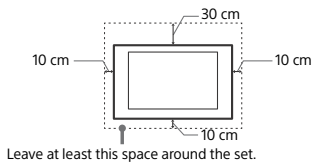




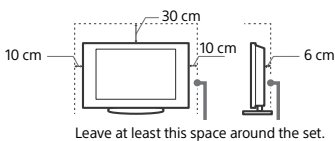
**Ventilation**

- Never cover the ventilation holes or insert anything in the cabinet.
- Leave space around the TV set as shown below.
- It is strongly recommended that you use a Sony Wall-Mount Bracket in order to provide adequate air circulation.

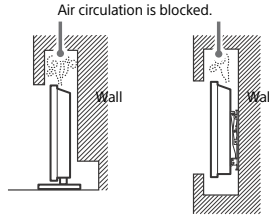
**Installed on the wall**



**Installed with stand**



- To ensure proper ventilation and prevent the collection of dirt or dust:
  - Do not lay the TV set flat, install upside down, backwards, or sideways.
  - Do not place the TV set on a shelf, rug, bed or in a closet.
  - Do not cover the TV set with a cloth, such as curtains, or items such as newspapers, etc.
  - Do not install the TV set as shown below.



**AC power cord (mains lead)**

Handle the AC power cord (mains lead) and outlet (mains socket) as follows in order to avoid any risk of fire, electric shock or damage and/or injuries:

- The shape of AC power plug (mains plug), which is supplied with the TV set, varies depending on the region. Be sure to connect the appropriate supplied AC power cord (mains lead) with the plug that fits into the AC power outlet (mains socket).
- Use only Sony supplied AC power cords (mains lead), not those of other brands.
- Insert the plug fully into the AC power outlet (mains socket).
- Operate the TV set on a 220 V – 240 V AC supply only.
- When wiring cables, be sure to unplug the AC power cord (mains lead) for your safety and take care not to catch your feet on the cables.
- Disconnect the AC power cord (mains lead) from the AC power outlet (mains socket) before working on or moving the TV set.
- Keep the AC power cord (mains lead) away from heat sources.
- Unplug the AC power plug (mains plug) and clean it regularly. If the plug is covered with dust and it picks up moisture, its insulation may deteriorate, which could result in a fire.

**Note**

- Do not use the supplied AC power cord (mains lead) on any other equipment.
- Do not pinch, bend, or twist the AC power cord (mains lead) excessively. The core conductors may be exposed or broken.
- Do not modify the AC power cord (mains lead).
- Do not put anything heavy on the AC power cord (mains lead).
- Do not pull on the AC power cord (mains lead) itself when disconnecting the AC power cord (mains lead).
- Do not connect too many appliances to the same AC power outlet (mains socket).
- Do not use a poor fitting AC power outlet (mains socket).

**NOTE ON AC ADAPTER (models with supplied AC adapter only)**

**Warning**

To reduce the risk of fire or electric shock, do not expose this apparatus to rain or moisture. To prevent fire or shock hazard, do not place objects filled with liquids, such as vases, on the apparatus. Do not install this equipment in a confined space, such as a bookshelf or similar unit.

- Please ensure that the AC power outlet (mains socket) is installed near the equipment and shall be easily accessible.
- Be sure to use the supplied AC adapter and AC power cord (mains lead). Otherwise it may cause a malfunction.
- Connect the AC adapter to an easily accessible AC power outlet (mains socket).
- Do not coil the AC power cord (mains lead) around the AC adapter. The core wire may be cut and/or it may cause a malfunction of the TV.
- Do not touch the AC adapter with wet hands.
- If you notice an abnormality in the AC adapter, disconnect it from the AC power outlet (mains socket) immediately.



- The set is not disconnected from the AC source as long as it is connected to the AC power outlet (mains socket), even if the set itself has been turned off.
- As the AC adapter will become warm when it is used for a long time, you may feel hot when touching it by hand.

## Prohibited Usage

Do not install/use the TV set in locations, environments or situations such as those listed below, or the TV set may malfunction and cause a fire, electric shock, damage and/or injuries.

### Locations:

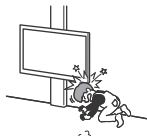
- Outdoors (in direct sunlight), at the seashore, on a ship or other vessel, inside a vehicle, in medical institutions, unstable locations, near water, rain, moisture or smoke.

### Environments:

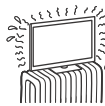
- Places that are hot, humid, or excessively dusty; where insects may enter; where it might be exposed to mechanical vibration, near flammable objects (candles, etc.). The TV set shall not be exposed to dripping or splashing and no objects filled with liquids, such as vases, shall be placed on the TV.

### Situations:

- Use when your hands are wet, with the cabinet removed, or with attachments not recommended by the manufacturer. Disconnect the TV set from AC power outlet (mains socket) and antenna (aerial) during lightning storms.
- Install the TV so that it sticks out into an open space. Injury or damage from a person or object bumping into the TV may result.



- Place the TV in a humid or dusty space, or in a room with oily smoke or steam (near cooking tables or humidifiers). Fire, electric shock, or warping may result.
- Install the TV in places subject to extreme temperature such as in direct sunlight, near a radiator or a heating vent. The TV may overheat in such condition which can cause deformation of the enclosure and/or TV malfunction.



- If the TV is placed in the changing room of a public bath or hot spring, the TV may be damaged by airborne sulfur, etc.
- For best picture quality, do not expose the screen to direct illumination or sunlight.
- Avoid moving the TV from a cold area to a warm area. Sudden room temperature changes may cause moisture condensation. This may cause the TV to show poor picture and/or poor colour. Should this occur, allow moisture to evaporate completely before powering the TV on.



### Broken pieces:

- Do not throw anything at the TV set. The screen glass may break by the impact and cause serious injury.
- If the surface of the TV set cracks, do not touch it until you have unplugged the AC power cord (mains lead). Otherwise this may cause an electric shock.

## When not in use

- If you will not be using the TV set for several days, the TV set should be disconnected from the AC power (mains) for environmental and safety reasons.
- As the TV set is not disconnected from the AC power (mains) when the TV set is just turned off, pull the plug from the AC power outlet (mains socket) to disconnect the TV set completely.
- Some TV sets may have features that require the TV set to be left in standby to work correctly.

## For children

- Do not allow children to climb on the TV set.
- Keep small accessories out of the reach of children, so that they are not mistakenly swallowed.

## If the following problems occur...

**Turn off** the TV set and unplug the AC power cord (mains lead) immediately if any of the following problems occur.

Ask your dealer or Sony service centre to have it checked by qualified service personnel.

### When:

- AC power cord (mains lead) is damaged.
- Poor fitting of AC power outlet (mains socket).
- TV set is damaged by being dropped, hit or having something thrown at it.
- Any liquid or solid object falls through openings in the cabinet.

## About LCD TV Temperature

When the LCD TV is used for an extended period, the panel surrounds become warm. You may feel hot when touching there by the hand.

## Precautions

### Viewing the TV

- View the TV in moderate light, as viewing the TV in poor light or during long period of time, strains your eyes.
- When using headphones, adjust the volume so as to avoid excessive levels, as hearing damage may result.

### LCD Screen

- Although the LCD screen is made with high-precision technology and 99.99 % or more of the pixels are effective, black dots may appear or bright points of light (red, blue, or green) may appear constantly on the LCD screen. This is a structural property of the LCD screen and is not a malfunction.
- Do not push or scratch the front filter, or place objects on top of this TV set. The image may be uneven or the LCD screen may be damaged.
- If this TV set is used in a cold place, a smear may occur in the picture or the picture may become dark. This does not indicate a failure. These phenomena disappear as the temperature rises.
- Ghosting may occur when still pictures are displayed continuously. It may disappear after a few moments.
- The screen and cabinet get warm when this TV set is in use. This is not a malfunction.
- The LCD screen contains a small amount of liquid crystal. Follow your local ordinances and regulations for disposal.

## Handling and cleaning the screen surface/ cabinet of the TV set

Be sure to unplug the AC power cord (mains lead) connected to the TV set from AC power outlet (mains socket) before cleaning. To avoid material degradation or screen coating degradation, observe the following precautions.

- To remove dust from the screen surface/cabinet, wipe gently with a soft cloth. If dust is persistent, wipe with a soft cloth slightly moistened with a diluted mild detergent solution.
- Never spray water or detergent directly on the TV set. It may drip to the bottom of the screen or exterior parts and enter the TV set, and may cause damage to the TV set.
- Never use any type of abrasive pad, alkaline/acid cleaner, scouring powder, or volatile solvent, such as alcohol, benzene, thinner or insecticide. Using such materials or maintaining prolonged contact with rubber or vinyl materials may result in damage to the screen surface and cabinet material.
- Do not touch the TV if your hand is covered in any chemical substance such as hand cream or sunblock.
- Periodic vacuuming of the ventilation openings is recommended to ensure proper ventilation.



- When adjusting the angle of the TV set, move it slowly so as to prevent the TV set from moving or slipping off from its table stand.

## Optional Equipment

- Keep optional components or any equipment emitting electromagnetic radiation away from the TV set. Otherwise picture distortion and/or noisy sound may occur.

## Wireless Function of the unit

- Do not operate this unit near medical equipment (pacemaker, etc.), as this may result in the malfunction of the medical equipment.
- Although this unit transmits/receives scrambled signals, be careful of unauthorised interception. We cannot be responsible for any trouble as a result.

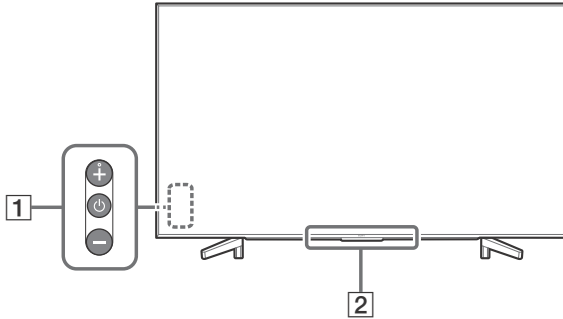
## Caution about handling the remote control

- Observe the correct polarity when inserting batteries.
- Do not use different types of batteries together or mix old and new batteries.
- Dispose of batteries in an environmentally friendly way. Certain regions may regulate the disposal of batteries. Please consult your local authority.
- Handle the remote control with care. Do not drop or step on it, or spill liquid of any kind onto it.
- Do not place the remote control in a location near a heat source, a place subject to direct sunlight, or a damp room.

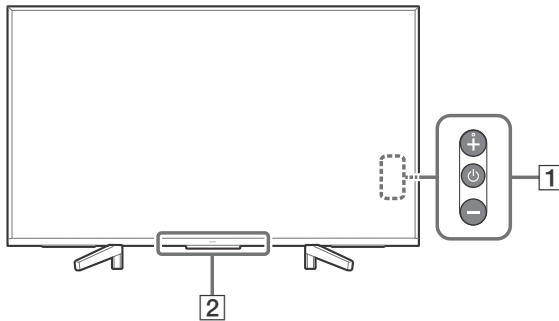
# Parts and Controls

## Controls and Indicators

KD-85/75/65/55X8500F




KD-49X8500F

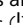


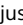
### 1 (Power) /+/-

**When the TV is off,**

Press  to power on.

**When the TV is on,**

Press and hold  to power off.

Press  repeatedly to change the function, then press + or - button to:

- Adjust the volume.
- Select the channel.
- Select the input source of TV.

### 2 Remote Control sensor\* / Light sensor\* / Illumination LED

The illumination LED lights up or blinks according to the status of the TV.

For more information, refer to the Help Guide.

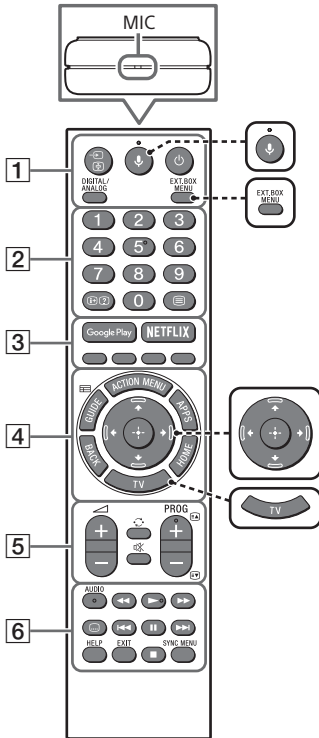
\* Do not place anything near the sensor.





# Using Remote Control


## Remote Control Parts Description


The remote control shape, location, availability and function of remote control buttons may vary depending on your region/country/TV model.



 **↓ (Microphone)**  
Use Voice Search. (e.g., Search various content by voice.)

 **EXT.BOX MENU**  
Display the External Box (cable/satellite box) menu only if HDMI CEC compatible device is connected.

 **↑/↓/←/→/⊕ (Navigation D-Pad)**  
On screen menu navigation and selection.

 **TV**  
Switch to a TV channel or input and display the TV Menu Bar.

GB

### 1 (Input select/Text hold)

In TV mode: Display and select the input source.

In Text mode: Hold the current page.

### (TV standby)

Turn on or turn off the TV (standby mode).

### DIGITAL/ANALOG

Switch between digital and analogue mode.

### 2 **Number buttons**

#### **(Info/Text reveal)**

Display information.

#### **(Text)**

Display text information.

### 3 **Google Play**

Access the "Google Play" online service.

### **NETFLIX (Only on limited region/country/TV model)**

Access the "NETFLIX" online service.

## Colour buttons

Execute corresponding function at that time.

## SYNC MENU

Display the BRAVIA Sync Menu.

### 4 ACTION MENU

Display a list of contextual functions.

#### GUIDE/

Display the digital programme guide.

#### APPS

Access various services and applications.

#### BACK

Return to the previous screen.

#### HOME

Display the TV Home Menu.

### 5 +/- (Volume)

Adjust the volume.

#### (Jump)



Jump back and forth between two channels or inputs. The TV alternates between the current channel or input and the last channel or input that was selected.

#### (Muting)

Mute the sound. Press again to restore the sound.

#### PROG +/-//

In TV mode: Select the channel.

In Text mode: Select the next () or previous () page.

### 6 AUDIO

Change the language for the programme currently being viewed.

#### 

Operate media contents on the TV and connected BRAVIA Sync-compatible device.

#### (Subtitle setting)

Turn subtitles on or off (when the feature is available).

#### HELP

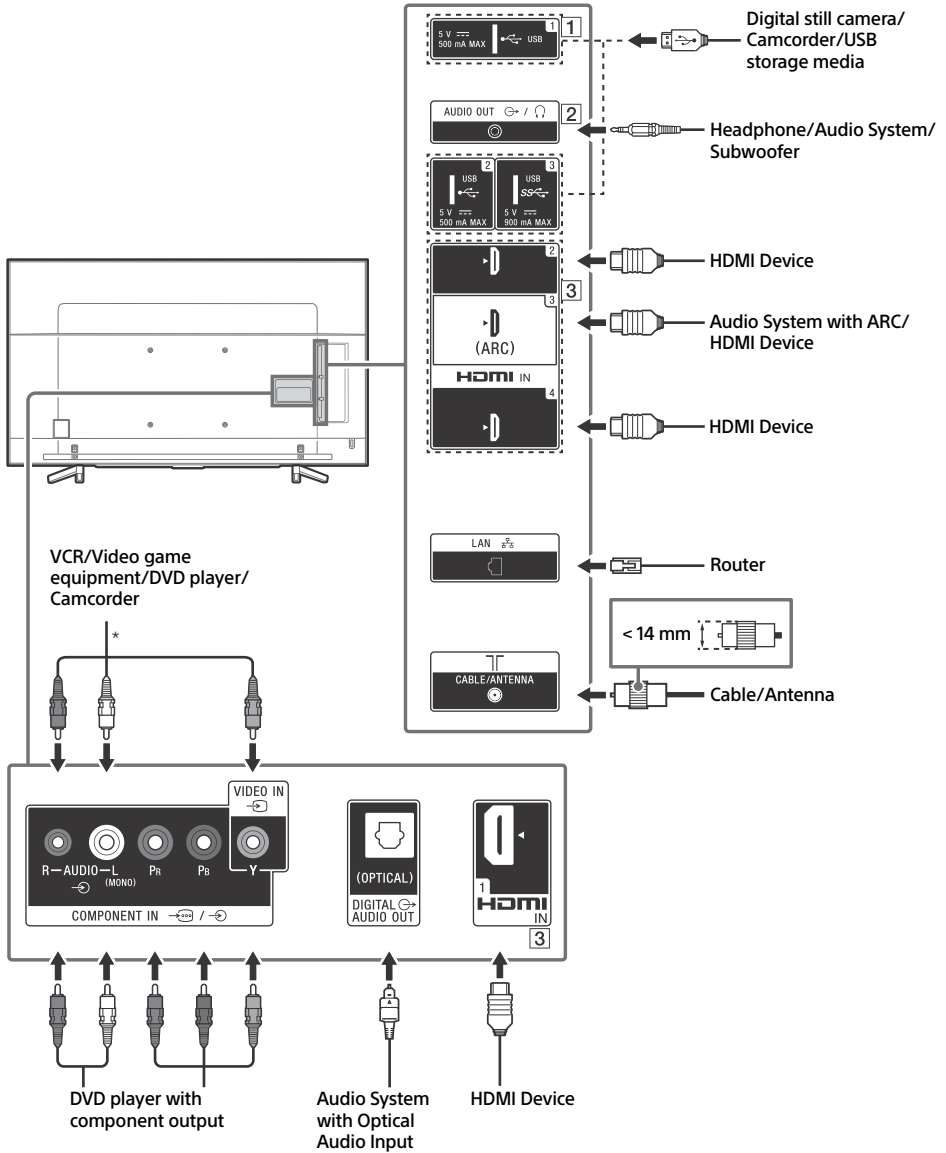
Display the Help menu. Help Guide can be accessed from here.

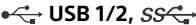

#### EXIT

Return to the previous screen or exit from the menu. When an Interactive Application service is available, press to exit from the service.


# Connection Diagram

For more information on connections, refer to the Help Guide by pressing **HELP** on the remote control.



**1**  **USB 1/2, SS**  **USB 3**

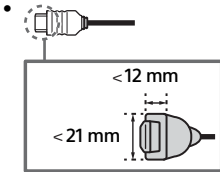
- Connecting a large USB device may interfere with other connected devices beside it.
- When connecting a large USB device, connect to the USB 1 port.

**2** **AUDIO OUT** 

- Supports 3-pole stereo mini jack only.
- To listen to the TV's sound through the connected equipment, press **HOME**.  
Select [Settings] → [Sound] → [Headphone/Audio out] and then select the desired item.

**3** **HDMI IN 1/2/3/4**

- HDMI interface can transfer the digital video and audio on a single cable.



• **HDMI IN 2/3**

To enjoy high quality 4K 50p/60p contents, connect a Premium High Speed HDMI cable to the HDMI IN 2/3 and set the [HDMI signal format] to [Enhanced format].

For details of supported formats, refer to the "Specifications" in this manual (page 23 - 24).

• **HDMI IN 3 ARC (Audio Return Channel)**

Connect your audio system to the HDMI IN 3 to route TV audio to your audio system. An audio system that supports HDMI ARC can send video to the TV, and receive audio from the TV via the same HDMI cable. If your audio system does not support HDMI ARC, an additional connection with DIGITAL AUDIO OUT (OPTICAL) is necessary.

\* When connecting mono equipment, connect to the L (MONO) audio jack (socket).

# Installing the TV to the Wall

## Using the optional Wall-Mount Bracket

This TV's instruction manual only provides the steps to prepare the TV for Wall-Mount installation before it is installed on the wall.

### To Customers:

For product protection and safety reasons, Sony strongly recommends that installation of your TV be performed by Sony dealers or licensed contractors. Do not attempt to install it yourself.

### To Sony Dealers and Contractors:

Provide full attention to safety during the installation, periodic maintenance and examination of this product.

GB

Sufficient expertise is required for installing this product, especially to determine the strength of the wall for withstanding the TV's weight. Be sure to entrust the attachment of this product to the wall to Sony dealers or licensed contractors and pay adequate attention to safety during the installation. Sony is not liable for any damage or injury caused by mishandling or improper installation.

Use the Wall-Mount Bracket SU-WL500 (not supplied) (KD-85/75X8500F only) or SU-WL450 (not supplied) (Except KD-85/75X8500F) to install the TV to the wall.

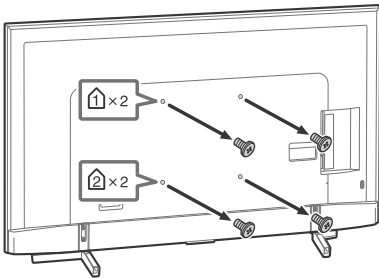
When installing the Wall-Mount Bracket, also refer to the Operating Instructions and Installation Guide supplied with the Wall-Mount Bracket.

### Note

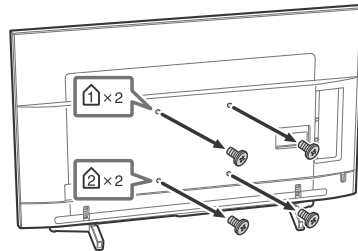
- Be sure to store the removed screws in a safe place, keeping them away from children.
- Place the TV with its screen facing down on a level and stable surface covered with a thick and soft cloth when removing the Table-Top Stand from the TV to prevent damaging the surface of the LCD display. (KD-49X8500F only)

### Remove the screws from the rear of the TV.

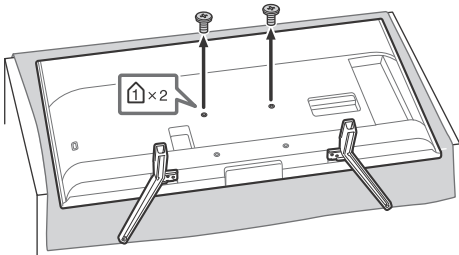
#### KD-85X8500F



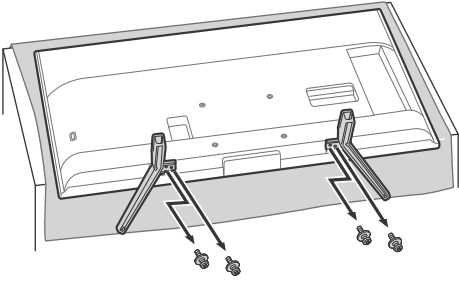
#### KD-75/65/55X8500F



#### KD-49X8500F



To detach the Table-Top Stand from the TV (KD-49X8500F only)



## SU-WL500 (KD-85/75X8500F only)

### 1 Attach the Mounting Hook using the four screws supplied with the Wall-Mount Bracket.

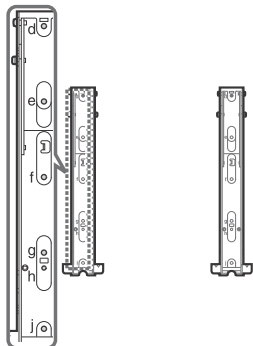
#### Note

- If using an electric screwdriver, set the torque at approximately 1.5 N·m (15 kgf·cm).
- Be sure to store the unused parts in a safe place for future use. Retain this manual for future reference.

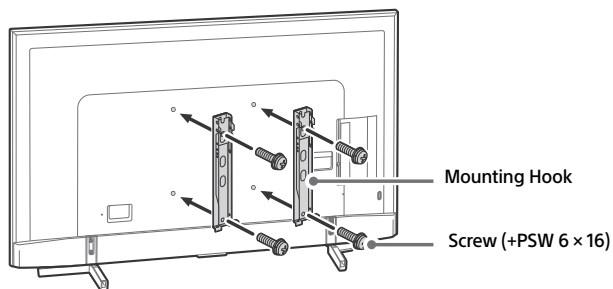
| Model Name  | Screw location |
|-------------|----------------|
| KD-85X8500F | d, j           |
| KD-75X8500F | d, g           |

#### Screw location

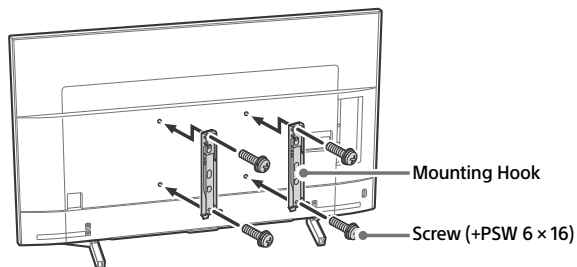
When installing the Mounting Hook on the TV.



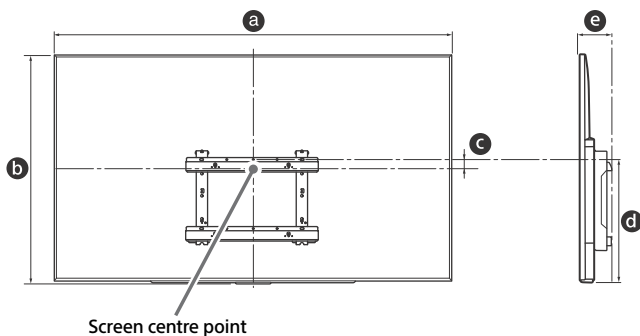
#### KD-85X8500F



#### KD-75X8500F



- 2** Make sure that the wall has enough space for the TV and is capable of supporting a weight of at least four times that of the TV. Refer to the following table on installing the TV to the wall. See page 23-24 (Specifications) for the TV's weight.



Unit: mm

| Model Name  | Display dimensions |       | Screen centre dimension | Length for mounting |     |
|-------------|--------------------|-------|-------------------------|---------------------|-----|
|             | a                  | b     |                         | d                   | e   |
| KD-85X8500F | 1,911              | 1,098 | 131                     | 683                 | 133 |
| KD-75X8500F | 1,673              | 963   | 27                      | 515                 | 114 |

**Note**

- Only applicable for 0° for this TV model.
- Figures in the table may differ slightly depending on the installation.

- 3** Connect necessary cables to the TV.

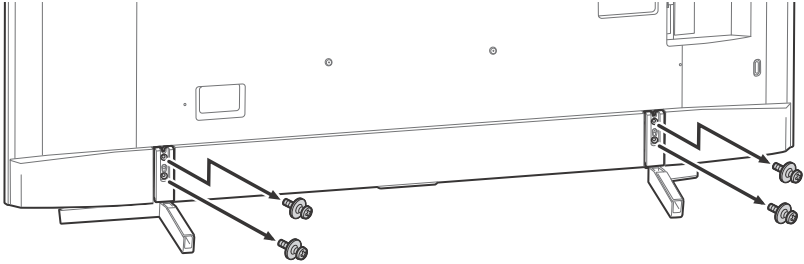
**Note**

- You cannot access to any terminal after installing the TV to the wall.

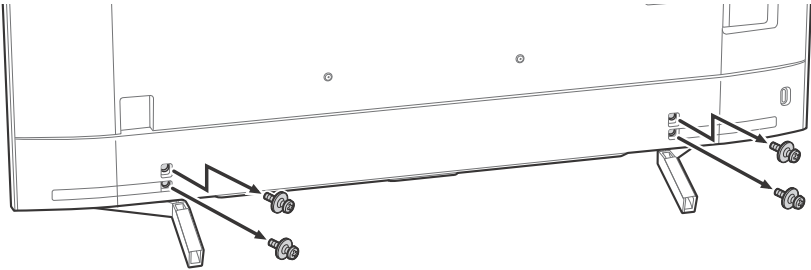


## 4 Detach the Table-Top Stand from the TV.

**KD-85X8500F**



**KD-75X8500F**

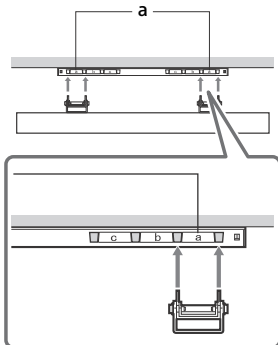


## 5 Install the TV on the wall.

| Model Name  | Hook location |
|-------------|---------------|
| KD-85X8500F | a             |
| KD-75X8500F |               |

### Hook location

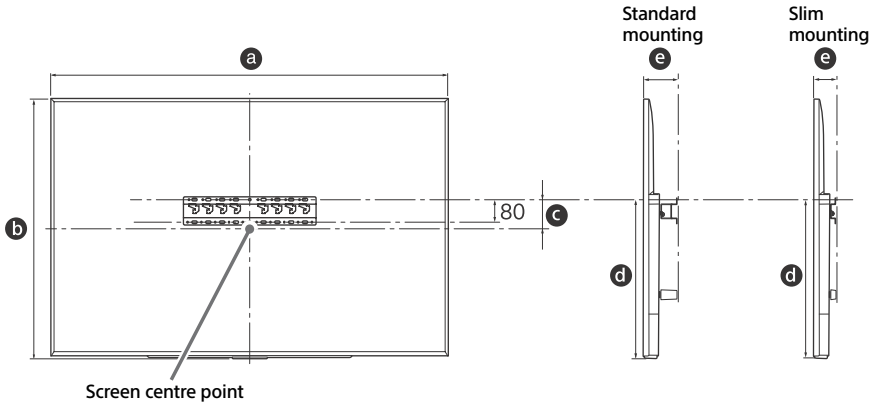
When installing the TV onto the Base Bracket.



Refer to the instructions supplied with the Wall-Mount Bracket for your model to install the TV on the wall.

## SU-WL450 (Except KD-85/75X8500F)

- 1 Make sure that the wall has enough space for the TV and is capable of supporting a weight of at least four times that of the TV. Refer to the following table on installing the TV to the wall. See page 23-24 (Specifications) for the TV's weight.



Unit: mm

| Model Name  | Display dimensions |     | Screen centre dimension | Length for mounting |                   |               |
|-------------|--------------------|-----|-------------------------|---------------------|-------------------|---------------|
|             | a                  | b   | c                       | d                   | e                 | e             |
|             |                    |     |                         |                     | Standard mounting | Slim mounting |
| KD-65X8500F | 1,450              | 836 | 99                      | 523                 | 115               | 73            |
| KD-55X8500F | 1,231              | 713 | 106                     | 468                 | 115               | 73            |
| KD-49X8500F | 1,098              | 644 | 15                      | 315                 | 120               | 78            |

### Note

- Figures in the table may differ slightly depending on the installation.
- When your TV is installed on the wall, the upper side of the TV slightly leans forward.

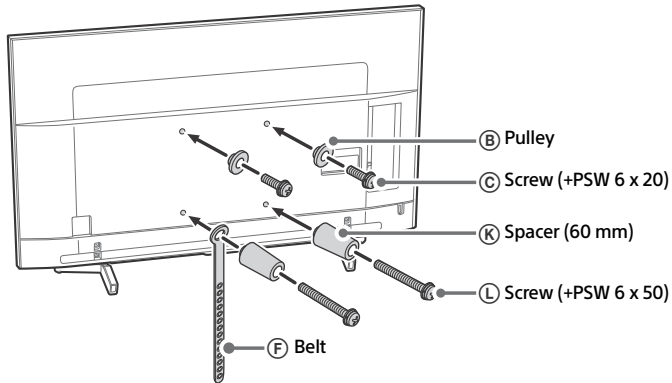
## 2 Attach the Attachment parts for Wall-Mount Bracket. Check the Attachment parts by referring to "1" of the Wall-Mount Bracket Installation Guide.

### Note

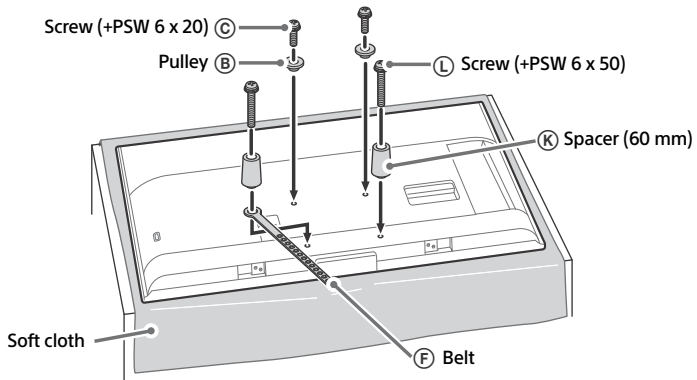
- If using an electric screwdriver, set the torque at approximately 1.5 N·m {15 kgf·cm}.
- Be sure to store the unused parts in a safe place for future use. Retain this manual for future reference.

### Standard mounting

#### KD-65/55X8500F



#### KD-49X8500F

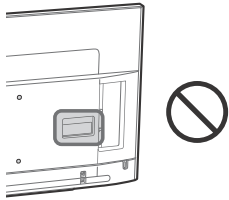


## Slim mounting

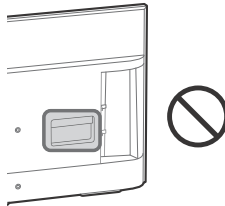
### Note

- You cannot use some of the terminals on the rear of the TV when using this mounting style.

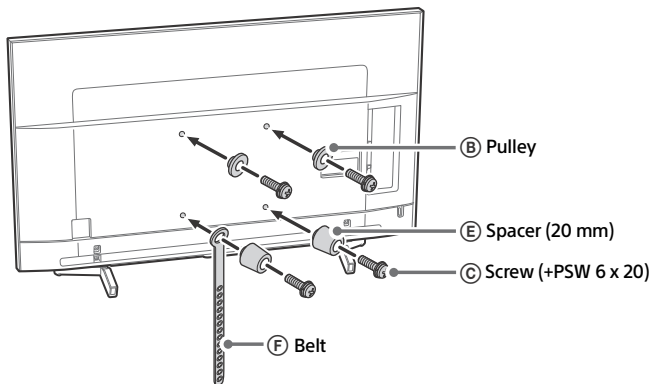
### KD-65/55X8500F



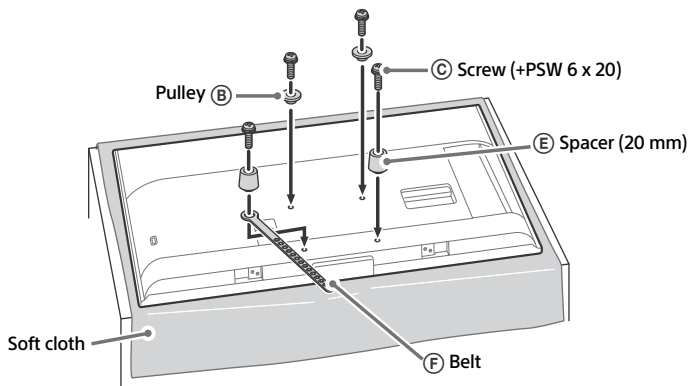
### KD-49X8500F



### KD-65/55X8500F



### KD-49X8500F

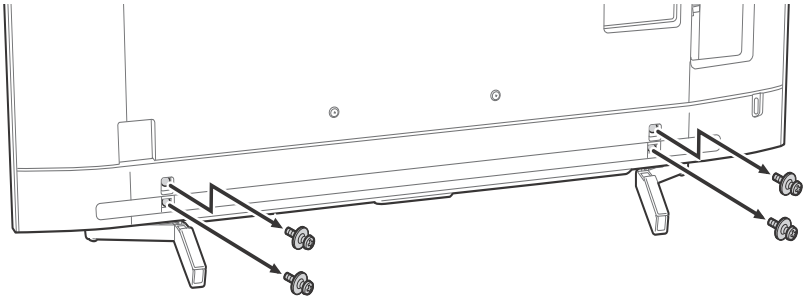


## 3 Connect necessary cables to the TV.

### Note

- You cannot access to any terminal after installing the TV to the wall.

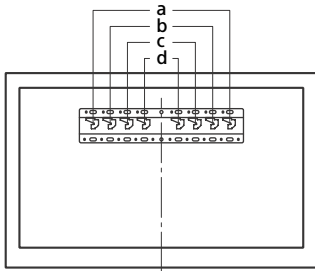
**4** Detach the Table-Top Stand from the TV (KD-65/55X8500F only).



GB

**5** Install the TV to the Base. Refer to "5" of Installation Guide and "Installing the TV to the Wall" of Operating Instructions supplied with the Wall-Mount Bracket.

| Model Name  | Hook location |
|-------------|---------------|
| KD-65X8500F | b             |
| KD-55X8500F | b             |
| KD-49X8500F | c             |



Refer to the instructions supplied with the Wall-Mount Bracket for your model to install the TV on the wall.

## Troubleshooting

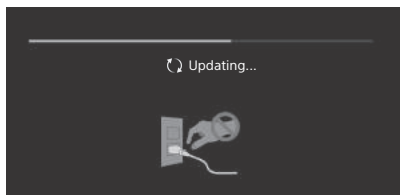
General troubleshooting for issues like: black screen, no sound, frozen picture, TV does not respond, or network is lost, do the following steps.

- 1 Restart your TV by pressing the power button on the remote control until a message appears. The TV will restart. If the TV does not recover, try unplugging the TV from the AC power cord (mains lead) for two minutes and then plug it in again.
- 2 Refer to the Help menu by pressing **HELP** on the remote control.
- 3 Connect your TV to the Internet and perform a software update.
- 4 Visit Sony support website (information provided on the back cover).

### **When [A new TV system software update is available...] message is displayed.**

Sony strongly recommends you to update the TV software by selecting [Update Now]. These software updates improve your TV performance or add new features.

The following screen with [Updating...] will appear and the illumination LED flashes white while software is updating.



Do not unplug the AC power cord (mains lead) during the software update. If you do, the software update may not finish completely, and it may cause a software malfunction. Software updates can take up to 15 minutes.

### **When you plug in the TV, the TV may not be able to turn on for a while even if you press the power button on the remote control or the TV.**

It takes time to initialize the system. Wait for about one minute, then operate it again.

## Troubles and Solutions

### **When the illumination LED is flashing in red.**

- Count how many times it flashes (interval time is three seconds).

Reboot the TV by disconnecting the AC power cord (mains lead) for two minutes, then turn on the TV.

If the problem persists, disconnect the AC power cord (mains lead), and contact your dealer or Sony service centre with the number of times the illumination LED flashes.

### **There is no picture (screen is dark) and no sound.**

- Check the antenna (aerial)/cable connection.
- Connect the TV to the AC power (mains), and press the power button on the TV or the remote control.

### **Some programmes cannot be tuned.**

- Check the antenna (aerial)/cable connection.

### **The remote control does not function.**

- Replace the batteries.

### **The EXT.BOX MENU button on the remote control does not work.**

- Connect HDMI CEC compatible device and change to that input.

### **The parental lock for broadcast password has been forgotten.**

- Enter 9999 for the PIN code and select [Change PIN code].

### **The TV surrounds become warm.**

- When the TV is used for an extended period, the TV surrounds become warm. You may feel hot when touching there by the hand.

# Specifications

## System

### Panel system

LCD (Liquid Crystal Display) Panel, LED Backlight

### TV system

Analogue: I, D/K, B/G, M

Digital: DTMB

### Colour system

PAL/SECAM/NTSC3.58/NTSC4.3

### Channel coverage

Analogue: UHF/VHF/Cable

Digital: UHF

### Sound output

10 W + 10 W

### Wireless technology

Protocol IEEE802.11ac/a/b/g/n

Bluetooth Version 4.1

## Input/Output jacks

### Antenna (aerial)/cable

75 ohm external terminal for VHF/UHF

### COMPONENT IN

YPbPr (Component Video): 1080p (50, 60 Hz), 1080i (50, 60 Hz), 720p (50, 60 Hz), 576p, 576i, 480p, 480i

Audio input (phono pin jack)

### VIDEO IN

Video input (common phono pin with Y input)

### HDMI IN 1/2/3/4 (support 4K resolution, HDCP 2.2-compatible)

#### Video:

4096 × 2160p (50, 60 Hz)<sup>\*1\*</sup>, 4096 × 2160p (24 Hz)<sup>\*1</sup>, 3840 × 2160p (50, 60 Hz)<sup>\*2</sup>, 3840 × 2160p (24, 25, 30 Hz), 1080p (30, 50, 60 Hz), 1080/24p, 1080i (50, 60 Hz), 720p (30, 50, 60 Hz), 720/24p, 576p, 576i, 480p, 480i, PC Formats<sup>\*3</sup>

<sup>\*1</sup> When 4096 × 2160p is input and [Wide mode] is set to [Normal], the resolution is displayed as 3840 × 2160p. To display 4096 × 2160p, set [Wide mode] setting to [Full 1] or [Full 2].

<sup>\*2</sup> HDMI IN 2/3 only. To support 18 Gbps, set [HDMI signal format] to [Enhanced format].

<sup>\*3</sup> Refer to the Help Guide for details.

#### Audio:

5.1 channel linear PCM: 32/44.1/48/88.2/96/176.4/192 kHz 16/20/24 bits, Dolby Digital, Dolby Digital Plus and DTS

### ARC (Audio Return Channel) (HDMI IN 3 only)

(Two channel linear PCM: 48 kHz 16 bits, Dolby Digital, Dolby Digital Plus, DTS)

### DIGITAL AUDIO OUT (OPTICAL)

Digital optical jack (Two channel linear PCM: 48 kHz 16 bits, Dolby Digital, DTS)

### AUDIO OUT (Stereo mini jack)

Headphone, Audio output, Subwoofer

### USB

USB port 1 and 2 support High Speed USB (USB 2.0)

USB port 3 supports Super Speed USB (USB 3.1 Gen 1)

### LAN

10BASE-T/100BASE-TX connector (Depending on the operating environment of the network, connection speed may differ. 10BASE-T/100BASE-TX communication rate and communication quality are not guaranteed for this TV.)

### DC IN 19.5 V (models with supplied AC adapter only)

AC adapter input

## Others

### Optional accessories

Wall-Mount Bracket: SU-WL500 (KD-85/75X8500F only)

Wall-Mount Bracket: SU-WL450 (Except KD-85/75X8500F)

### Operating temperature

0 °C – 40 °C

### Operating humidity

10 % – 80 % RH (non-condensing)

## Power and others

### Power requirements

except models with supplied AC adapter

220 V – 240 V AC, 50 Hz

models with supplied AC adapter only

19.5 V DC with AC adapter

Rating: Input 220 V – 240 V AC, 50 Hz

### Screen size (measured diagonally) (Approx.)

KD-85X8500F: 85 inches / 214.8 cm

KD-75X8500F: 75 inches / 189.3 cm

KD-65X8500F: 65 inches / 163.9 cm

KD-55X8500F: 55 inches / 138.8 cm

KD-49X8500F: 49 inches / 123.2 cm

### Power consumption

Indicated on the rear of the TV

### Standby power consumption<sup>\*1\*</sup>

0.5 W

### Display resolution

3,840 pixels (horizontal) × 2,160 lines (vertical)

## Output Rating

USB 1/2

5 V  $\overline{\text{---}}$ , 500 mA MAX

USB 3

5 V  $\overline{\text{---}}$ , 900 mA MAX

## Dimensions (Approx.) (w × h × d)

with Table-Top Stand

KD-85X8500F: 1,911 × 1,176 × 429 mm

KD-75X8500F: 1,673 × 1,031 × 371 mm

KD-65X8500F: 1,450 × 900 × 315 mm

KD-55X8500F: 1,231 × 776 × 315 mm

KD-49X8500F: 1,098 × 703 × 279 mm

without Table-Top Stand

KD-85X8500F: 1,911 × 1,098 × 73 mm

KD-75X8500F: 1,673 × 963 × 54 mm

KD-65X8500F: 1,450 × 836 × 52 mm

KD-55X8500F: 1,231 × 713 × 52 mm

KD-49X8500F: 1,098 × 644 × 58 mm

## Mass (Approx.)

with Table-Top Stand

KD-85X8500F: 46.2 kg

KD-75X8500F: 40.1 kg

KD-65X8500F: 26.5 kg

KD-55X8500F: 20 kg

KD-49X8500F: 13.7 kg

without Table-Top Stand

KD-85X8500F: 44.1 kg

KD-75X8500F: 38.9 kg

KD-65X8500F: 25.6 kg

KD-55X8500F: 19.1 kg

KD-49X8500F: 13.2 kg

\*1 Specified standby power is reached after the TV finishes necessary internal processes.

\*2 Standby power consumption will increase when your TV is connected to the network.

### Note


- Optional accessories availability depends on countries/region/TV model/stock.
- Design and specifications are subject to change without notice.

## Trademark information

- The terms HDMI and HDMI High-Definition Multimedia Interface, and the HDMI Logo are trademarks or registered trademarks of HDMI Licensing Administrator, Inc. in the United States and other countries.
- Manufactured under license from Dolby Laboratories. Dolby, Dolby Audio, and the double-D symbol are trademarks of Dolby Laboratories.
- "BRAVIA", BRAVIA and BRAVIA Sync are trademarks or registered marks of Sony Corporation.

- Gracenote, the Gracenote logo and logotype, "Powered by Gracenote" logo are either registered trademarks or trademarks of Gracenote, Inc. in the United States and/or other countries.
- Vewd<sup>®</sup> Core. Copyright 1995-2017 Vewd Software AS. All rights reserved.
- Google, Android TV, Google Play, Chromecast built-in, YouTube and other related marks and logos are trademarks of Google LLC.
- Wi-Fi<sup>®</sup>, Wi-Fi Alliance<sup>®</sup>, Wi-Fi Direct<sup>®</sup> and Miracast<sup>®</sup> are registered trademarks of Wi-Fi Alliance.
- Wi-Fi Protected Setup<sup>™</sup> is a trademark of Wi-Fi Alliance.
- The Wi-Fi CERTIFIED<sup>™</sup> Logo is a certification mark of Wi-Fi Alliance.

license from DTS, Inc. DTS, the Symbol, & DTS and the Symbol together are registered trademarks, and DTS Digital Surround is a trademark of DTS, Inc. © DTS, Inc. All Rights Reserved.

- The Bluetooth<sup>®</sup> word mark and logos are registered trademarks owned by the Bluetooth SIG, Inc. and any use of such marks by Sony Corporation is under license. Other trademarks and trade names are those of their respective owners.
- Netflix is a registered trademark of Netflix, Inc.
- © 2017 RealNetworks, Inc. All rights reserved. Patents pending. RealMedia, RealNetworks, and their logos are trademarks or registered trademarks of RealNetworks, Inc.
- TUXERA is a registered trademark of Tuxera Inc. in the US and other countries.
- USB-IF SuperSpeed USB Trident logo is a registered trademark of USB Implementers Forum, Inc. 
- All other trademarks are the property of their respective owners.



**HDMI**™  
HIGH-DEFINITION MULTIMEDIA INTERFACE

  
**DOLBY**  
**AUDIO**

 gracenote.

 **vewD**

 **dts**®  
Digital Surround

 **Bluetooth**®

***realnetworks***®

**TUXERA**

**4K**

Actual resolution:  
3840 x 2160 pixels

GB

25GB